



Project _____

Type _____

Notes _____

- Rectangular and oval faceplates
- Horizontal and vertical mounting plus through-wall option
- Multiple LED choices
- 90-degree cut-off obstructs light trespass
- Polycarbonate lens
- Activation by photocell sensor (can be turned on or off during installation)
- Pre-set light level can be adjusted up or down during installation
- Shallow housings comply with ADA requirements

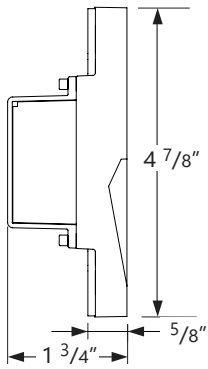
Rectangular Horizontal faceplates available. See Wall Semi-Recessed Rectangular Horizontal spec sheet.

Oval Vertical faceplate available. See Wall Semi-Recessed Oval Vertical spec sheet.

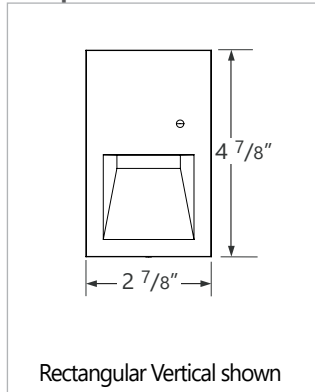
Oval Horizontal faceplate available. See Wall Semi-Recessed Oval Horizontal spec sheet.

Rectangular Vertical shown

Face plate dimensions



Rectangular shown



Rectangular Vertical shown



Ordering Guide

| BCS | | | | | |
|----------------------|--|---|---|--|--|
| PRODUCT ID | CONFIGURATION | FACE PLATE SHAPE / ORIENTATION | COLOR TEMP. | FINISH | VOLTAGE |
| BCS Steplight | S single* THR through-wall** | RV rectangular vertical | 27 2700 K 30 3000 K 35 3500 K 40 4000 K AMB amber light BLU blue light | AMW antimicrobial white AMI antimicrobial ivory W white I ivory C custom* | 120 120 V 277 277 V UNV universal |
| | * Single j-box, by others. **Through-wall j-box is provided with order; same faceplate shape/orientation on both sides. See p.2 for additional information. | Two of the same face plates will be included with through-wall configuration. | | * Consult factory for NSF | |

Through-wall j-box is provided with order - but it CAN be shipped separately ahead of faceplates if required.

● CONSTRUCTION

- Wall Plate** Die cast aluminum (0.10" nominal)
 - Faceplate** Die cast aluminum (0.08" nominal)
 - Shielding** Optical film-coated polycarbonate lens
- Designed with gaskets for IP64 ingress protection.

i Specification sheets for wall mounted StepLight luminaires are available at: www.axislighting.com under 'Downloads' tab.

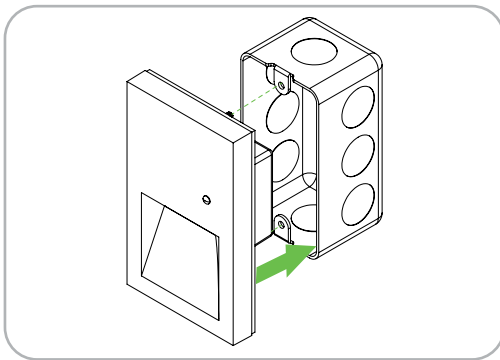
● FINISH

White, ivory, antimicrobial and custom finishes are also available.

● MOUNTING DETAILS

One sided vertical wall installation

Standard j-box by others.

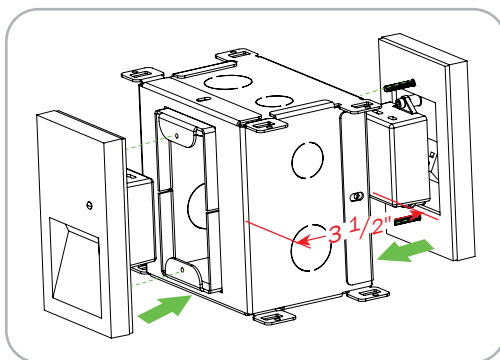


Through-wall vertical installation.

Through-wall j-box available.

Standard configuration includes same face plate shape and orientation on both sides.

Installation sheet available for download at www.axislighting.com



● ELECTRICAL

Input Voltage 120V, 277V, UNV.

● APPROVALS

With product features that promote cleanability and durability, Axis Lighting meets functional and application-specific industry listings such as UL, Ingress Protection (IP) and National Sanitation Foundation (NSF) standards. Suitable for wet locations.

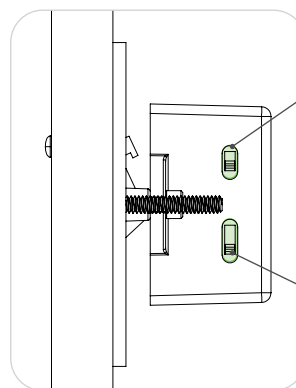
● WEIGHT

BCS-S-RV 0.44 lbs / 0.2 kg

● WARRANTY

Limited 5-year warranty is available. Warranty is valid provided luminaires are installed and used according to specifications. For full terms and conditions, please consult warranty section at axislighting.com.

● PHOTOCELL SENSOR ADJUSTMENT

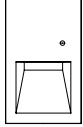


Use this switch during installation to turn on/off photocell sensor

Use this switch during installation to set desired light level

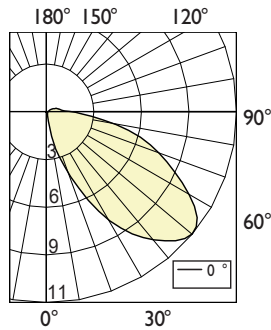
● PHOTOMETRIC DATA AT HIGH OUTPUT SETTING

STEPLIGHT (AMBER)



BCS-RV

PHOTOMETRIC CURVE



Luminaire Lumens: 14 lm
Input Watts: 0.94 W
Efficacy: 15 lm/W
 IES FILE: BCS-RV-S-AMB.ies

TESTED ACCORDING TO IES LM-79-2008

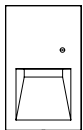
CANDELA DISTRIBUTION

| Vertical Angle | Horizontal Angles | | | |
|----------------|-------------------|------|----|------|
| | 0 | 22.5 | 45 | 67.5 |
| 0 | 0 | 0 | 0 | 0 |
| 5 | 0 | 0 | 0 | 0 |
| 15 | 3 | 2 | 2 | 0 |
| 25 | 6 | 5 | 3 | 1 |
| 35 | 9 | 8 | 5 | 2 |
| 45 | 11 | 10 | 6 | 2 |
| 55 | 11 | 10 | 7 | 2 |
| 65 | 8 | 8 | 6 | 1 |
| 75 | 6 | 5 | 4 | 1 |
| 85 | 3 | 3 | 2 | 1 |
| 90 | 2 | 2 | 1 | 0 |
| 95 | 1 | 1 | 1 | 0 |
| 105 | 1 | 1 | 1 | 0 |
| 115 | 1 | 1 | 0 | 0 |

ZONAL LUMENS

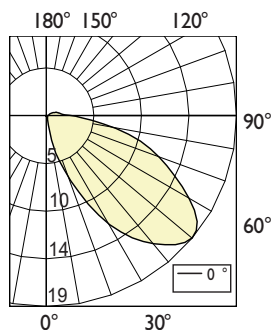
| Zone | Lumens |
|-------|--------|
| 0 | |
| 0-10 | 0 |
| 10-20 | 0 |
| 20-30 | 1 |
| 30-40 | 1 |
| 40-50 | 2 |
| 50-60 | 3 |
| 60-70 | 2 |
| 70-80 | 2 |
| 80-90 | 1 |
| 90 | 0 |

STEPLIGHT (3500 K)



BCS-RV

PHOTOMETRIC CURVE



Luminaire Lumens: 23 lm
Input Watts: 0.95 W
Efficacy: 25 lm/W
 IES FILE: BCS-RV-S-35.ies

TESTED ACCORDING TO IES LM-79-2008

CANDELA DISTRIBUTION

| Vertical Angle | Horizontal Angles | | | |
|----------------|-------------------|------|----|------|
| | 0 | 22.5 | 45 | 67.5 |
| 0 | 0 | 0 | 0 | 0 |
| 5 | 0 | 0 | 0 | 0 |
| 15 | 4 | 4 | 2 | 0 |
| 25 | 10 | 8 | 5 | 1 |
| 35 | 15 | 13 | 8 | 2 |
| 45 | 18 | 16 | 10 | 2 |
| 55 | 19 | 17 | 11 | 3 |
| 65 | 16 | 14 | 10 | 2 |
| 75 | 11 | 10 | 7 | 2 |
| 85 | 5 | 5 | 4 | 1 |
| 90 | 3 | 3 | 2 | 1 |
| 95 | 2 | 2 | 2 | 1 |
| 105 | 1 | 1 | 1 | 0 |
| 115 | 1 | 1 | 1 | 0 |
| 125 | 1 | 1 | 0 | 0 |

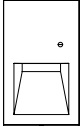
ZONAL LUMENS

| Zone | Lumens |
|-------|--------|
| 0 | |
| 0-10 | 0 |
| 10-20 | 0 |
| 20-30 | 1 |
| 30-40 | 2 |
| 40-50 | 4 |
| 50-60 | 5 |
| 60-70 | 4 |
| 70-80 | 3 |
| 80-90 | 2 |
| 90 | 1 |

i All IES files are available for download at: www.axislighting.com

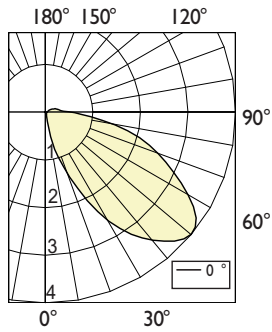
● PHOTOMETRIC DATA AT HIGH OUTPUT SETTING

STEPLIGHT (BLUE)



BCS-RV

PHOTOMETRIC CURVE



Luminaire Lumens: 5 lm
Input Watts: 0.94W
 IES FILE: BCS-RV-S-BLU.ies

TESTED ACCORDING TO IES LM-79-2008

CANDELA DISTRIBUTION

| Vertical Angle | Horizontal Angles | | | |
|----------------|-------------------|------|----|------|
| | 0 | 22.5 | 45 | 67.5 |
| 0 | 0 | 0 | 0 | 0 |
| 5 | 0 | 0 | 0 | 0 |
| 15 | 1 | 1 | 1 | 0 |
| 25 | 2 | 2 | 1 | 0 |
| 35 | 3 | 3 | 2 | 1 |
| 45 | 4 | 3 | 2 | 1 |
| 55 | 4 | 4 | 2 | 1 |
| 65 | 3 | 3 | 2 | 1 |
| 75 | 2 | 2 | 1 | 0 |
| 85 | 1 | 1 | 1 | 0 |
| 90 | 1 | 1 | 0 | 0 |
| 95 | 0 | 0 | 0 | 0 |
| 105 | 0 | 0 | 0 | 0 |
| 115 | 0 | 0 | 0 | 0 |

ZONAL LUMENS

| Zone | Lumens |
|-------|--------|
| 0 | |
| 0-10 | 0 |
| 10-20 | 0 |
| 20-30 | 0 |
| 30-40 | 1 |
| 40-50 | 1 |
| 50-60 | 1 |
| 60-70 | 1 |
| 70-80 | 1 |
| 80-90 | 0 |
| 90 | 0 |

i All IES files are available for download at: www.axislighting.com