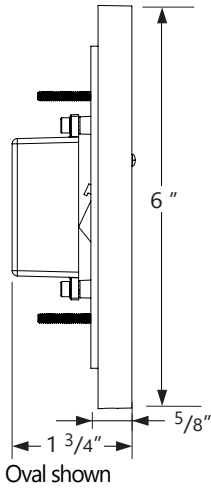


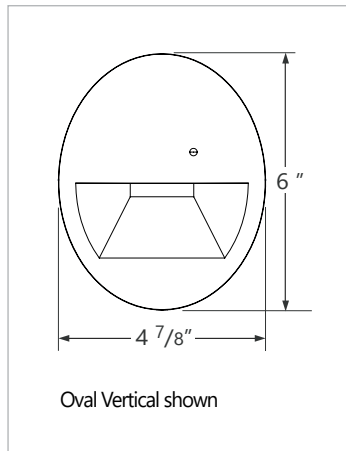


Oval Vertical shown



Oval shown

### Face plate dimensions



Oval Vertical shown

Project \_\_\_\_\_

Type \_\_\_\_\_

Notes \_\_\_\_\_

- Rectangular and oval faceplates
- Horizontal and vertical mounting plus through-wall option
- Multiple LED choices
- 90-degree cut-off obstructs light trespass
- Polycarbonate lens
- Activation by photocell sensor (can be turned on or off during installation)
- Pre-set light level can be adjusted up or down during installation
- Shallow housings comply with ADA requirements

Oval Horizontal faceplates available. See Wall Semi-Recessed Oval Vertical spec sheet.  
 Rectangular Vertical faceplate available. See Wall Semi-Recessed Rectangular Vertical spec sheet.  
 Rectangular Horizontal faceplate available. See Wall Semi-Recessed Rectangular Horizontal spec sheet.



### Ordering Guide

BCS									
PRODUCT ID	CONFIGURATION	FACE PLATE SHAPE / ORIENTATION		COLOR TEMP.		FINISH		VOLTAGE	
<b>BCS</b> Steplight	<b>S</b> single* <b>THR</b> through-wall**	<b>OV</b>	oval vertical	<b>27</b>	2700 K	<b>AMW</b>	antimicrobial white	<b>120</b>	120 V
				<b>30</b>	3000 K	<b>AMI</b>	antimicrobial ivory	<b>277</b>	277 V
				<b>35</b>	3500 K	<b>W</b>	white	<b>UNV</b>	universal
				<b>40</b>	4000 K	<b>I</b>	ivory		
				<b>AMB</b>	amber light	<b>C</b>	custom*		
				<b>BLU</b>	blue light				
		* Single j-box, by others. **Through-wall j-box is provided with order; same faceplate shape/orientation on both sides. See p.2 for additional information.		Two of the same face plates will be included with through-wall configuration.		* Consult factory for NSF			

**Through-wall j-box is provided with order - but it CAN be shipped separately ahead of faceplates if required.**

### ● CONSTRUCTION

- Wall Plate** Die cast aluminum (0.10" nominal)
  - Faceplate** Die cast aluminum (0.08" nominal)
  - Shielding** Optical film-coated polycarbonate lens
- Designed with gaskets for IP64 ingress protection.

**i** Specification sheets for wall mounted StepLight luminaires are available at: [www.axislighting.com](http://www.axislighting.com) under 'Downloads' tab.

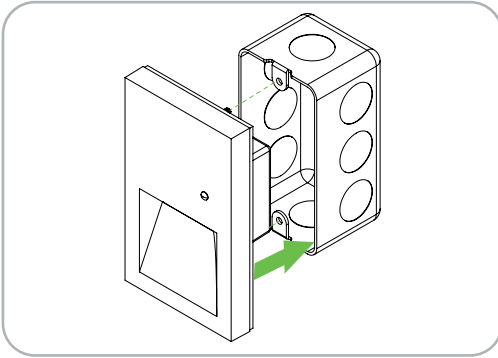
### ● FINISH

White, ivory, antimicrobial and custom finishes are also available.

### ● MOUNTING DETAILS

#### One sided vertical wall installation

Standard j-box by others.

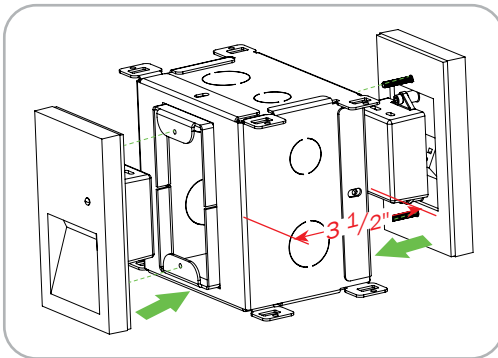


#### Through-wall vertical installation.

Through-wall j-box available.

Standard configuration includes same face plate shape and orientation on both sides.

Installation sheet available for download at [www.axislighting.com](http://www.axislighting.com)



### ● ELECTRICAL

**Input Voltage** 120V, 277V, UNV.

### ● APPROVALS

With product features that promote cleanability and durability, Axis Lighting meets functional and application-specific industry listings such as UL, Ingress Protection (IP) and National Sanitation Foundation (NSF) standards. Suitable for wet locations.

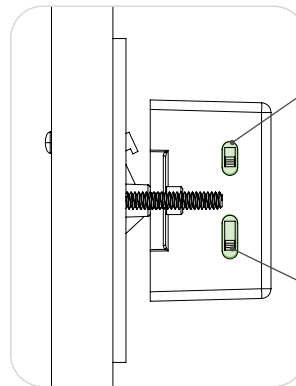
### ● WEIGHT

**BCS-S-OV** 0.66 lbs / 0.3 kg

### ● WARRANTY

Limited 5-year warranty is available. Warranty is valid provided luminaires are installed and used according to specifications. For full terms and conditions, please consult warranty section at [axislighting.com](http://axislighting.com).

### ● PHOTOCELL SENSOR ADJUSTMENT

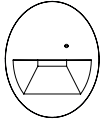


Use this switch during installation to turn on/off photocell sensor

Use this switch during installation to set desired light level

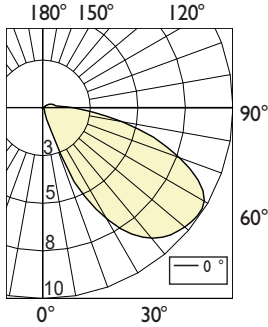
### ● PHOTOMETRIC DATA AT HIGH OUTPUT SETTING

#### STEPLIGHT (AMBER)



BCS-OV

#### PHOTOMETRIC CURVE



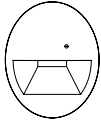
**Luminaire Lumens: 13 lm**  
**Input Watts: 0.93W**  
**Efficacy: 14 lm/W**  
 IES FILE: BCS-OV-S-AMB.ies

TESTED ACCORDING TO IES LM-79-2008

Vertical Angle	Horizontal Angles			
	0	22.5	45	67.5
0	0	0	0	0
5	0	0	0	0
15	2	2	1	0
25	5	4	3	0
35	8	7	4	1
45	10	9	6	2
55	10	9	6	2
65	9	8	5	2
75	6	6	4	1
85	3	3	2	1
90	2	2	1	1
95	1	1	1	0
105	1	1	0	0
115	0	0	0	0

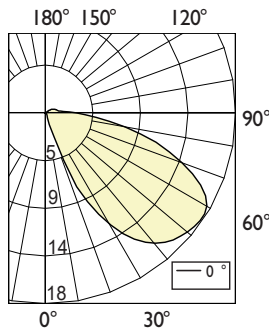
Zone	Lumens
0	
0-10	0
10-20	0
20-30	1
30-40	1
40-50	2
50-60	3
60-70	3
70-80	2
80-90	1
90	0

#### STEPLIGHT (3500 K)



BCS-OV

#### PHOTOMETRIC CURVE



**Luminaire Lumens: 23 lm**  
**Input Watts: 0.95 W**  
**Efficacy: 24 lm/W**  
 IES FILE: BCS-S-OV-W.ies

TESTED ACCORDING TO IES LM-79-2008

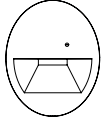
Vertical Angle	Horizontal Angles				
	0	22.5	45	67.5	90
0	3	3	3	3	3
5	3	2	2	2	2
15	3	2	1	1	1
25	3	1	1	1	1
35	3	1	1	1	1
45	2	1	0	0	0
55	2	0	0	0	0
65	1	0	0	0	0
75	1	0	0	0	0
85	0	0	0	0	0
90	0	0	0	0	0

Zone	Lumens
0	
0-10	0
10-20	1
20-30	3
30-40	4
40-50	5
50-60	5
60-70	3
70-80	1
80-90	0
90	0

**i** All IES files are available for download at: [www.axislighting.com](http://www.axislighting.com)

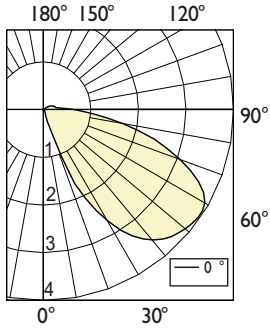
### ● PHOTOMETRIC DATA AT HIGH OUTPUT SETTING

#### STEPLIGHT (BLUE)



BCS-OV

#### PHOTOMETRIC CURVE



**Luminaire Lumens: 5 lm**

**Input Watts: 0.94W**

IES FILE: BCS-OV-S-BLU.ies

TESTED ACCORDING TO IES LM-79-2008

#### CANDELA DISTRIBUTION

Vertical Angle	Horizontal Angles			
	0	22.5	45	67.5
0	0	0	0	0
5	0	0	0	0
15	1	1	0	0
25	2	1	1	0
35	3	3	1	0
45	4	3	2	1
55	4	3	2	1
65	4	3	2	1
75	2	2	1	0
85	1	1	1	0
90	1	1	1	0
95	0	0	0	0
105	0	0	0	0
115	0	0	0	0

#### ZONAL LUMENS

Zone	Lumens
0	
0-10	0
10-20	0
20-30	0
30-40	0
40-50	1
50-60	1
60-70	1
70-80	1
80-90	0
90	0

**i** All IES files are available for download at: [www.axislighting.com](http://www.axislighting.com)