



Oval Horizontal shown

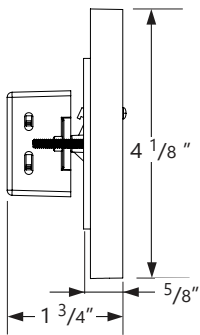
Project _____

Type _____

Notes _____

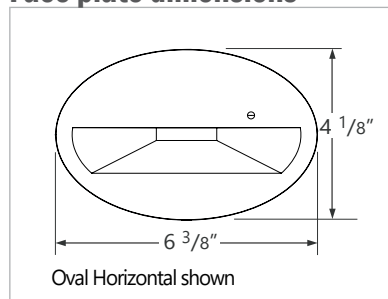
- Rectangular and oval faceplates
- Horizontal and vertical mounting plus through-wall option
- Multiple LED choices
- 90-degree cut-off obstructs light trespass
- Polycarbonate lens
- Activation by photocell sensor (can be turned on or off during installation)
- Pre-set light level can be adjusted up or down during installation
- Shallow housings comply with ADA requirements

Oval Vertical faceplates available. See Wall Semi-Recessed Oval Vertical spec sheet.
 Rectangular Vertical faceplate available. See Wall Semi-Recessed Rectangular Vertical spec sheet.
 Rectangular Horizontal faceplate available. See Wall Semi-Recessed Rectangular Horizontal spec sheet.



Horizontal shown

Face plate dimensions



Oval Horizontal shown



Ordering Guide

BCS		CONFIGURATION		FACE PLATE SHAPE / ORIENTATION		COLOR TEMP.		FINISH		VOLTAGE	
PRODUCT ID											
BCS	Steplight	S	single*	OH	oval horizontal	27	2700 K	AMW	antimicrobial white	120	120 V
		THR	through-wall**			30	3000 K	AMI	antimicrobial ivory	277	277 V
						35	3500 K	W	white	UNV	universal
						40	4000 K	I	ivory		
						AMB	amber light	C	custom*		
						BLU	blue light				
		* Single j-box, by others. **Through-wall j-box is provided with order; same faceplate shape/orientation on both sides. See p.2 for additional information.		Two of the same face plates will be included with through-wall configuration.				* Consult factory for NSF			

Through-wall j-box is provided with order - but it CAN be shipped separately ahead of faceplates if required.

● CONSTRUCTION

- Wall Plate** Die cast aluminum (0.10" nominal)
 - Faceplate** Die cast aluminum (0.08" nominal)
 - Shielding** Optical film-coated polycarbonate lens
- Designed with gaskets for IP64 ingress protection.

i Specification sheets for wall mounted StepLight luminaires are available at: www.axislighting.com under 'Downloads' tab.

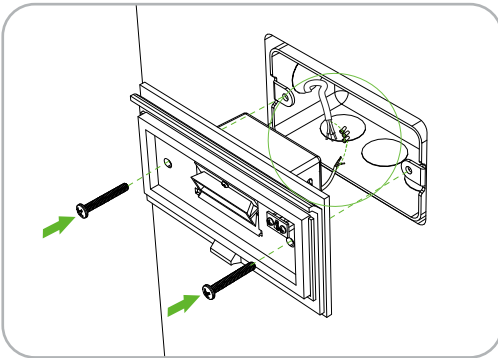
● FINISH

White, ivory, antimicrobial and custom finishes are also available.

● MOUNTING DETAILS

One sided horizontal wall installation

Standard j-box by others.

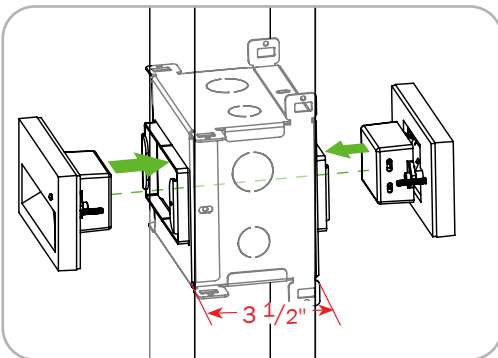


Through-wall horizontal installation.

Through-wall j-box available.

Standard configuration includes same face plate shape and orientation on both sides.

Installation sheet available for download at www.axislighting.com



● ELECTRICAL

Input Voltage 120V, 277V, UNV.

● APPROVALS

With product features that promote cleanability and durability, Axis Lighting meets functional and application-specific industry listings such as UL, Ingress Protection (IP) and National Sanitation Foundation (NSF) standards. Suitable for wet locations.

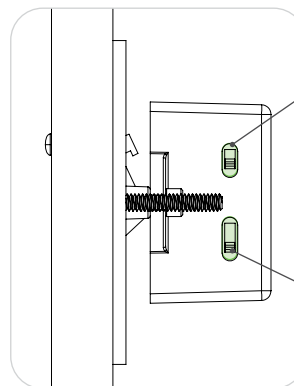
● WEIGHT

BSC-S-OH 0.66 lbs / 0.3 kg

● WARRANTY

Limited 5-year warranty is available. Warranty is valid provided luminaires are installed and used according to specifications. For full terms and conditions, please consult warranty section at axislighting.com.

● PHOTOCELL SENSOR ADJUSTMENT

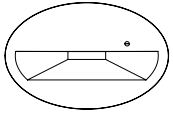


Use this switch during installation to turn on/off photocell sensor

Use this switch during installation to set desired light level

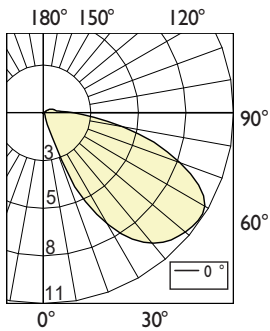
● PHOTOMETRIC DATA AT HIGH OUTPUT SETTING

STEPLIGHT (AMBER)



BCS-OH

PHOTOMETRIC CURVE



Luminaire Lumens: 14 lm
Input Watts: 0.89 W
Efficacy: 16 lm/W
 IES FILE: BCS-OH-S-AMB.ies

TESTED ACCORDING TO IES LM-79-2008

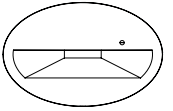
CANDELA DISTRIBUTION

Vertical Angle	Horizontal Angles			
	0	22.5	45	67.5
0	0	0	0	0
5	0	0	0	0
15	1	1	0	0
25	6	5	2	0
35	9	8	5	1
45	11	9	6	2
55	11	10	7	2
65	10	9	6	2
75	7	6	4	1
85	3	3	2	1
90	2	2	1	1
95	1	1	1	0
105	1	1	1	0
115	1	0	0	0

ZONAL LUMENS

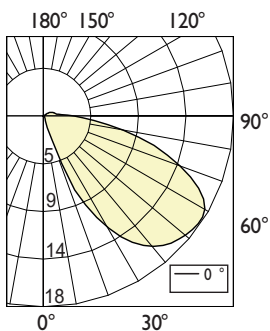
Zone	Lumens
0	
0-10	0
10-20	0
20-30	1
30-40	1
40-50	2
50-60	3
60-70	3
70-80	2
80-90	1
90	0

STEPLIGHT (3500 K)



BCS-OH

PHOTOMETRIC CURVE



Luminaire Lumens: 23 lm
Input Watts: 0.95 W
Efficacy: 24 lm/W
 IES FILE: BCS-S-OH-W.ies

TESTED ACCORDING TO IES LM-79-2008

CANDELA DISTRIBUTION

Vertical Angle	Horizontal Angles			
	0	22.5	45	67.5
0	0	0	0	0
5	0	0	0	0
15	1	1	0	0
25	10	8	3	0
35	15	13	8	1
45	18	16	10	3
55	18	16	11	4
65	17	15	10	3
75	11	10	7	2
85	5	5	4	2
90	3	3	2	1
95	2	2	2	1
105	1	1	1	0
115	1	1	1	0
125	1	1	0	0

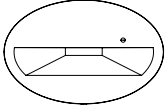
ZONAL LUMENS

Zone	Lumens
0	
0-10	0
10-20	0
20-30	1
30-40	2
40-50	4
50-60	5
60-70	5
70-80	3
80-90	2
90	1

i All IES files are available for download at: www.axislighting.com

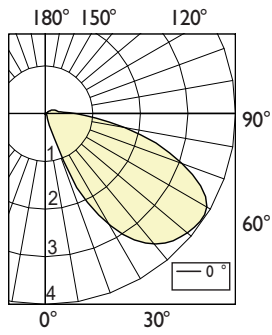
● PHOTOMETRIC DATA AT HIGH OUTPUT SETTING

STEPLIGHT (BLUE)



BCS-OH

PHOTOMETRIC CURVE



Luminaire Lumens: 5 lm
Input Watts: 1W
 IES FILE: BCS-S-OH-BLU.ies

TESTED ACCORDING TO IES LM-79-2008

CANDELA DISTRIBUTION

Vertical Angle	Horizontal Angles			
	0	22.5	45	67.5
0	0	0	0	0
5	0	0	0	0
15	0	0	0	0
25	2	2	1	0
35	3	3	2	0
45	4	3	2	1
55	4	3	2	1
65	4	3	2	1
75	2	2	2	1
85	1	1	1	0
90	1	1	1	0
95	0	0	0	0
105	0	0	0	0
115	0	0	0	0

ZONAL LUMENS

Zone	Lumens
0	
0-10	0
10-20	0
20-30	0
30-40	1
40-50	1
50-60	1
60-70	1
70-80	1
80-90	0
90	0

i All IES files are available for download at: www.axislighting.com