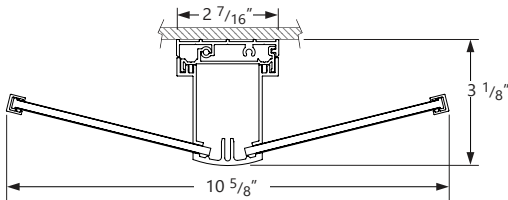




Vertical shown



Project \_\_\_\_\_

Type \_\_\_\_\_

Notes \_\_\_\_\_

| TYPICAL INPUT WATTS |
|---------------------|
| 8 W/ft              |

- MRI Tranquility sconces integrate nature-inspired graphics to create a calm and relaxing environment in an otherwise stressful situation
- CCT 4000K
- Detachable backplate for quick-disconnect
- Horizontal or vertical orientation, surface mounting in multiple lengths
- Shallow depth - 3 1/8" - exceeds ADA compliance
- Non-ferrous materials

Ordering Guide



| BCSCTQMRI  |   |                |     |                      |            | 90  |        | 40  |        |
|------------|---|----------------|-----|----------------------|------------|-----|--------|---|--------|
| PRODUCT ID |   | NOMINAL LENGTH |     | MOUNTING ORIENTATION |            | CRI |        | COLOR TEMP.   |        |
| BCSCTQMRI  | Sconce Closed Book MRI Tranquility series | 12             | 12" | H                    | horizontal | 90  | 90 CRI | 40  | 4000 K |
|            |   | 24             | 24" | V                    | vertical   |     |        |   |        |
|            |   | 36             | 36" |                      |            |     |        |   |        |
|            |   |                |     |                      |            |     |        |   |        |
|            |   |                |     |                      |            |     |        | PLEASE <a href="#">CLICK HERE TO PROCEED TO IMAGE SELECTION CATALOGUE</a> (INSERT CODE IN PLACE)  |        |
|            |   |                |     |                      |            |     |        | +TQC(#) custom image*<br><small>* Provide your own image (must be 150 dpi at 100% image size). For multiple images specify as TQC(01), TQC(02).....etc.</small> |        |

| FINISH                    |                              | DC VOLTAGE   |                      |
|---------------------------|------------------------------|--|----------------------|
| AMW                       | antimicrobial white          | DC   | 24V (CV) low voltage |
| AMA                       | antimicrobial aluminum paint |  |                      |
| C                         | custom*                      |  |                      |
| * Consult factory for NSF |                              | With remote driver<br>Provided with 50 ft cord, DO NOT CUT.<br>Luminaire is only compatible with components specified for Remote power supply enclosure. See the spec sheet <a href="#">here</a> . |                      |

Remote power supply ordered separately. See Remote Power supply spec sheet.

● CONSTRUCTION

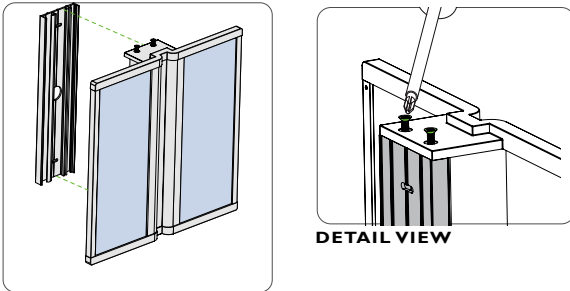
|                    |  |
|--------------------|--|
| <b>Housing</b>     | Extruded aluminum (0.075" nominal)   |
| <b>End Cap</b>     | Die cast aluminum (0.10" nominal)  |
| <b>Top Covers</b>  | Extruded aluminum (0.075" nominal)   |
| <b>Smooth Lens</b> | Uniform acrylic lens, image printed on inside lens surface. which keeps it protected from cleaning solutions and scratches |

**i** Specification sheets for wall mounted Sconce luminaires are available at: [www.axislighting.com](http://www.axislighting.com) under 'Downloads' tab.

● LIGHT GUIDE

High precision light guide made of PMMA material, allows distribution of controlled light in all 3-dimensions to put light on both vertical and horizontal planes within the space. Patented lightguide design featuring molecular optics and precision-coupled optic components yield a high efficiency luminaire.

● MOUNTING DETAILS



**i** Installation sheets are available at: [www.axislighting.com](http://www.axislighting.com)

● WEIGHT

12"                      4.5 lbs / 2 kg

● APPROVALS

With product features that promote cleanability and durability, Axis Lighting meets functional and application-specific industry listings such as UL, and National Sanitation Foundation (NSF) standards. Independently tested and certified to meet MIL-Std 461-G for conducted and radiated emissions.

● LED SYSTEM

**CRI & CCT**                      90 CRI & 4000K have been selected as the color options that most enhance the broad spectrum range within the Tranquility graphics series that will apply to this luminaire

**LED life**                              Minimum 50,000h with 85% of lumen maintenance in 25°C ambient temperature, in compliance with IES LM-80 testing measurements.

**Thermal Management**                      Aluminum housing acting as the heat sink to maximize life.

● ELECTRICAL

**DC**                                      24 V constant voltage driver provided with 50 ft of cord with the MOLEX® Quick connect plug. (DO NOT CUT)  
 Luminaire is **ONLY** compatible with components specified for remote power supply enclosure. See the spec sheet [here](#).

● QUICK CONNECT

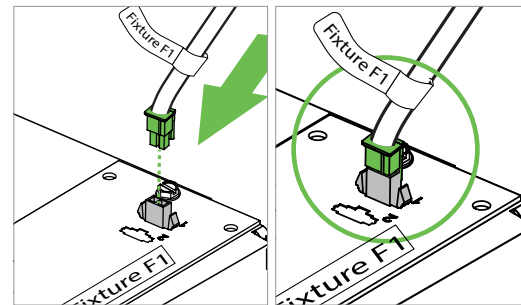


Illustration shows cables that run from RPS to luminaire using MOLEX® Quick Connect plug for easy wiring.

**! Please note that luminaire type will be clearly labeled both on the cable and on the luminaire plate in order to match correct cable to its respective luminaire and circuit.**

EASY IMAGE SPECIFICATION STEPS

1. Select the luminaire.
2. Select pattern or image from our [portfolio](#), or provide your own image (must be 150 dpi at 100% image size).
3. Send us your layout and we will prepare a proof for your final approval.

**1. Luminaire**

**BCSCTQMRI-12-V**

Select the luminaire, length and orientation.

**2. Image**

**BCSCTQMRI-12-V-TQ250**

Select pattern or image from our [portfolio](#), or customize by providing your own art or logo\*  
 \*Art must be 150 dpi at 100% image size

**3. Frame**

**RAL 5023**

Provide an RAL # to customize frame color

**4. Proof**

We will prepare a proof for your final approval.

● WARRANTY

Axis Lighting will warrant defective LEDs, boards, EMI filters and drivers for 5 years from date of purchase. Warranty is valid only if luminaire is installed and used according to specifications and installation instructions.

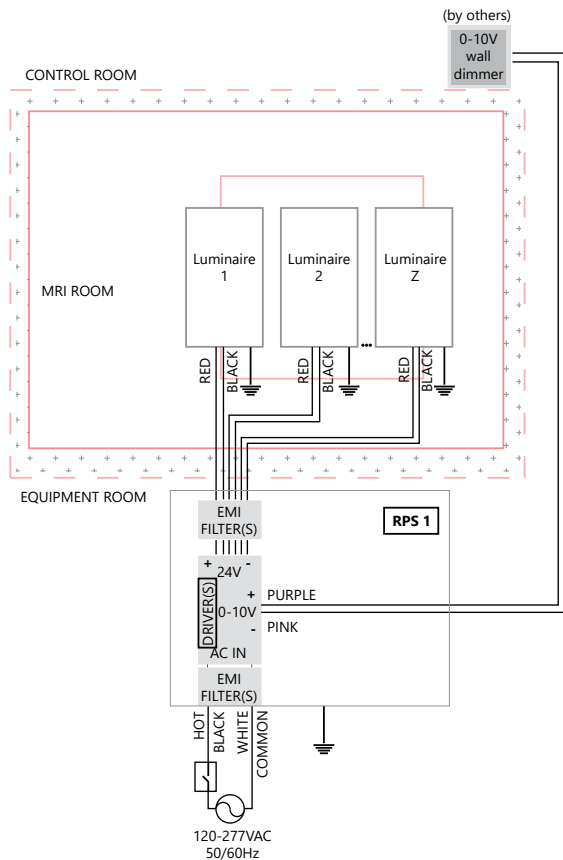
If defective, Axis will send replacement boards, filters or drivers at no cost along with detailed replacement instructions and instructions on how to return defective components to Axis.

Please fill out Specifier Acknowledgment and affirm that the MRI Installation Registration checklist will be provided to the installer to be completed, signed and returned to your respective Axis lighting Project Manager.

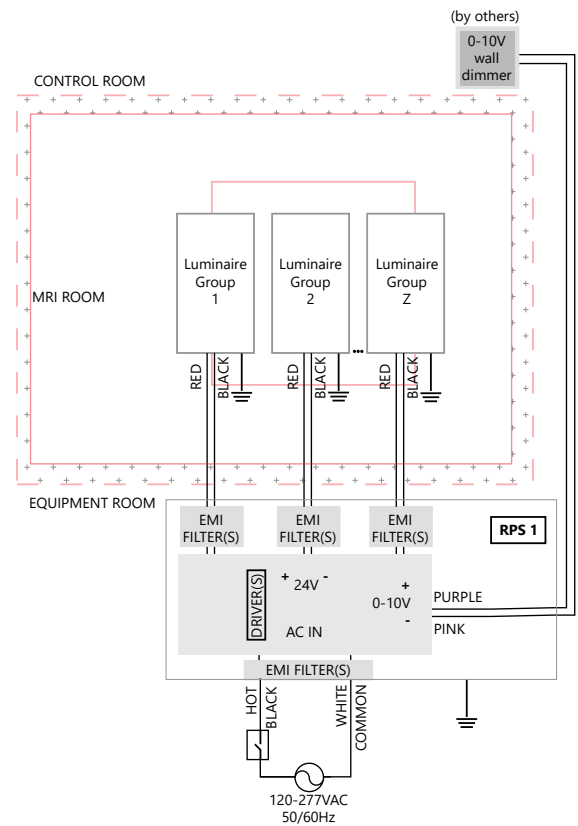
For warranty purposes please carefully read all supporting instructions, and make sure to follow them for the installation.

***This Axis Lighting warranty will not go into effect until receipt of the signed Installation Registration Checklist (see last page).***

EXAMPLE WIRING DIAGRAMS



Single connection installation



Multiple connection installation

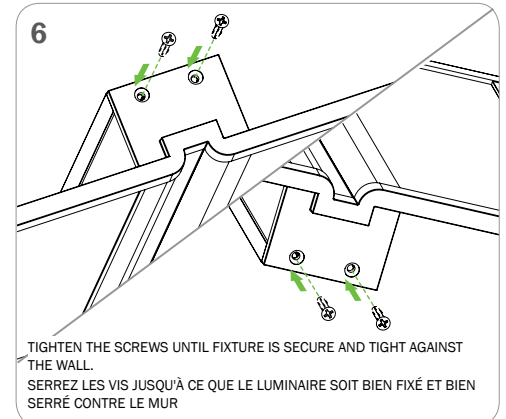
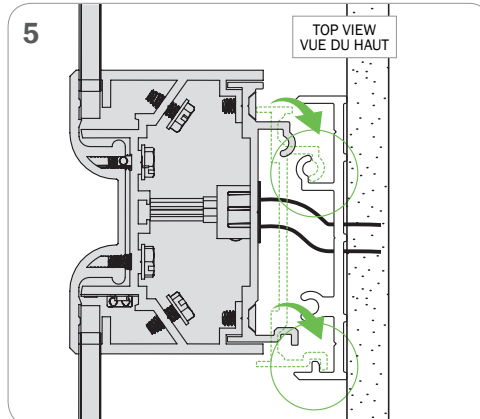
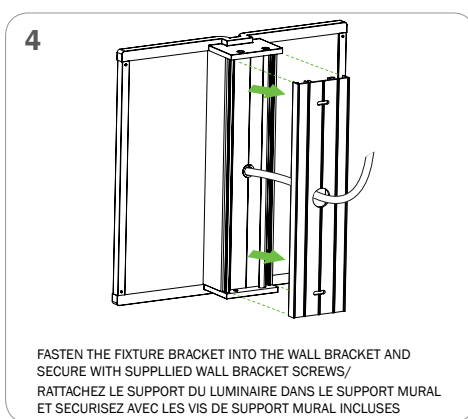
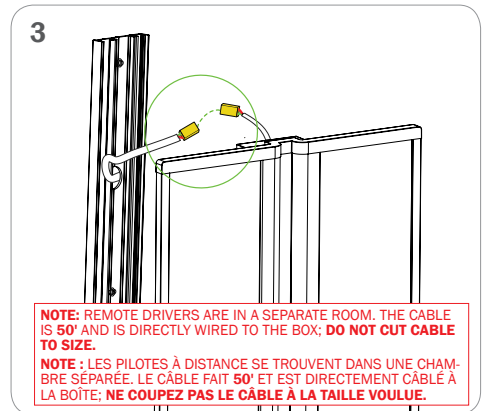
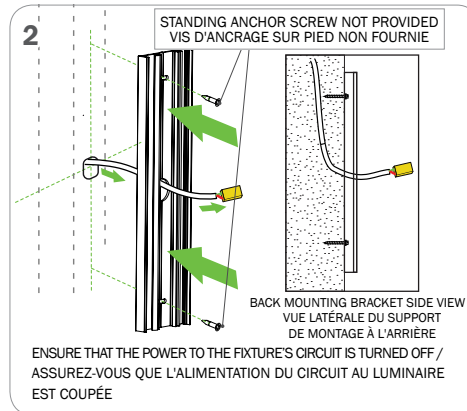
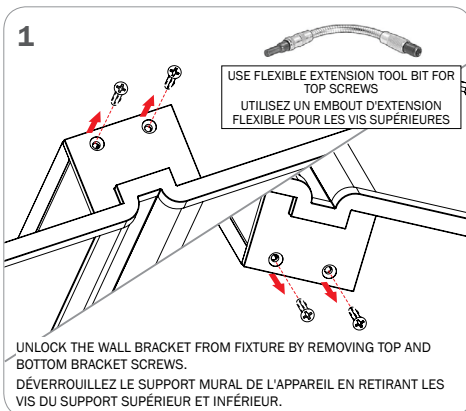
See more details on wiring on [RPS spec sheet](#).

### ● IMPORTANT SAFETY MEASURES

Power must be supplied by grounded Axis Remote Power Supply to ensure adequate EMI filtering. Remote power supply system must be ordered separately, and installed according to provided instructions. Please follow link for the [RPS spec sheet](#).

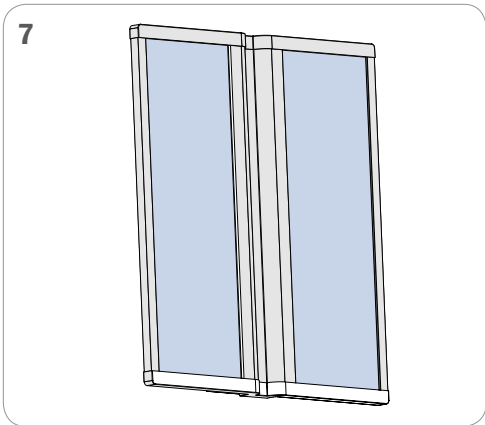
- This product must be installed in accordance with the applicable installation code by a person familiar with the construction and operation of the product and the hazards involved in an MRI environment.
- Disconnect power to all circuits before wiring fixture.
- Install in accordance with all national, state, and local codes.
- Remote power supply box **MUST** be grounded
- Failure to install unit on a mechanically-sound surface may result in personal injury, physical damage, or potential fire hazard
- Use installation procedures appropriate for an environment involving MRI and sensitive electronic equipment.
- Read all fixture markings and labels to ensure correct installation of fixture
- Supplemental instructions may be located on the fixture, in addition to the instruction sheet provided with the shop drawing, regarding orientation, or mounting restrictions.

### ● INSTALLATION INSTRUCTIONS



\*SEE NEXT PAGE FOR FOLLOWING STEPS

\*REST OF INSTALLATION PROCESS



\*SEE NEXT PAGE FOR SPECIFIER ACKNOWLEDGMENT FORM

**SPECIFIER ACKNOWLEDGMENT**

Contractor acknowledges and understands the requirements of installing Axis Lighting products prior to the installation. **Please sign below before Axis Lighting releases your order.**

Signature: \_\_\_\_\_

Date: \_\_\_\_\_

Print Name: \_\_\_\_\_

Project Name: \_\_\_\_\_

Send the form to your Axis Lighting Project Manager

----- \*SEE NEXT PAGE FOR MRI INSTALLATION REGISTRATION CHECKLIST

**MRI INSTALLATION REGISTRATION CHECKLIST**

Customer acknowledges that attached Installation Registration Checklist will be provided to the installer to sign and return to Axis Lighting after the installation is complete.

Please fill out this form and return to your Axis Lighting Project Manager.

***The warranty for your MRI installation will not go into effect until receipt of this signed registration checklist.***

I certify that the lighting installation for the listed MRI suite is completed per the provided installation instructions and to the best of my abilities.

Please check off to denote status:

Installation instruction sheet for Remote Power Supply is read and followed.

Remote Power supply is located outside the shielded MRI exam room and grounded.

All dimming signals wiring is located outside the shielded MRI room.

Lighting system fully tested (including dimming operation if applicable) while MRI machine is in idle mode.

Lighting system fully tested (including dimming operation, if applicable) while MRI machine is in scan operation mode with the magnets fully activated.

If any of those steps cannot be completed or you need technical assistance, please contact Axis Lighting After Sales: at [aftersalesteam@axislighting.com](mailto:aftersalesteam@axislighting.com)

Electrical Contractor

Name: \_\_\_\_\_

Phone: \_\_\_\_\_

Installation date: \_\_\_\_\_

Installation site

Project Name: \_\_\_\_\_

City / State (Province) \_\_\_\_\_

Send the form to your Axis Lighting Project Manager

Axis Lighting Project Manager: \_\_\_\_\_

Date: \_\_\_\_\_