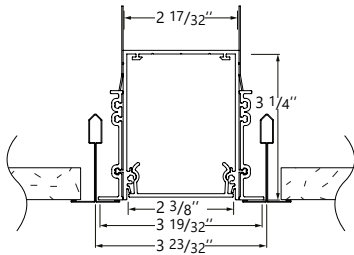


Project _____

Type _____

Notes _____

- Lengths: Up to 12' or continuous system run
- Recessed batwing, wall wash and graze optics available
- 90 CRI
- CCTs: 3000K, 3500K, 4000K, 5000K
- BCB2R: Typical 750 lm/ft at 24VCD, based on SO lens at 3500K



PERFORMANCE PER LINEAR FOOT AT 3500K

SHIELDING	NOMINAL LUMEN OUTPUT	TYPICAL WATTS*
SO	750 lm/ft	9 W/ft
BW	650 lm/ft	9 W/ft
WW	370 lm/ft	5 W/ft
GZ	360 lm/ft	5 W/ft

*Typical watts will vary +/- 10%

Ordering Guide



BCB2RMRI		CRI	COLOR TEMP. (choose one)	SHIELDING	LENGTH (FT)	FINISH
PRODUCT ID	Beam 2 MRI Recessed	90 90 CRI	30 3000 K 35 3500 K 40 4000 K 50 5000 K	SO Spotless lens BW Batwing (flush only) GZ Graze (flush only) WW Wallwash (flush only)	2 2 feet minimum 12 12 feet maximum continuous S(L) system run	W white
					2ft min - 12 ft max, 1ft increment for stand alone, system runs contain joiner elements, see p. 2 for details.	

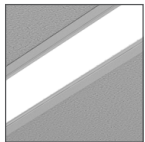
VOLTAGE	MOUNTING	CUSTOM (OPTIONAL)
DC 24 V (CV) low voltage	TB15 t-bar 15/16" TB24 t-bar 1 1/2" *	C custom
Provided with 50 ft cord. DO NOT CUT. Remote Power Supply (RPS) MUST be ordered with all MRI Luminaires. See the spec sheet here .	* Consult factory - special order.	Please specify

Remote power supply ordered separately. See Remote Power supply spec sheet.

CONSTRUCTION

Housing	Extruded aluminum (0.075" nominal) Up to 70% recycled content
T-bar Bracket	Aluminum sheet
Screw Slot T-bar Bracket	Aluminum sheet
Slip-Through Bracket	Aluminum sheet
Spackle Flange	Aluminum sheet
Flange	Extruded aluminum (0.075" nominal) Visible flange width: 9/16"
Interior Brackets	Aluminum sheet
Reflectors	Aluminum sheet
Blank	Extruded aluminum (0.075" nominal)
Lens	Spotless frosted acrylic lens

OPTICS



Frosted acrylic snap-in lens. Used for SO, BW, GZ and WW shielding options.

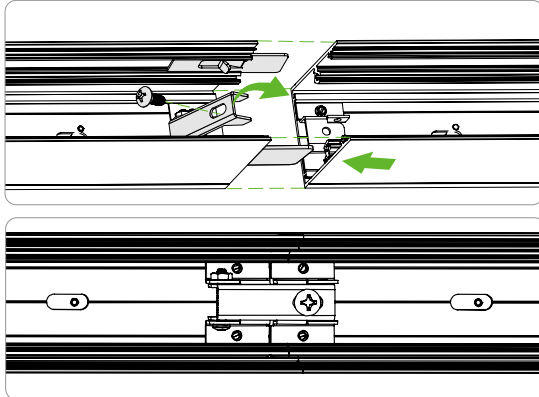
Flush lens

FINISHES

Powder coated and custom finishes are also available.

JOINERS

BEAM 2 has aluminum joiners with wedge alignment for easy installation.



JOINER SYSTEM

WEIGHT

Recessed LED 4 ft	8.6 lbs / 3.9 kg
Recessed LED 8 ft	17.2 lbs / 7.8 kg
Recessed LED 12 ft	25.7 lbs / 11.7 kg

APPROVALS

With product features that promote cleanability and durability, Axis meets functional and application-specific industry listings such as UL, and National Sanitation Foundation (NSF) standards. Independently tested and certified to meet MIL-Std 461-G for conducted and radiated emissions.

LED SYSTEM

CRI	Minimum 90 color rendering index.
CCT Single Color	Choice of 3000K, 3500K, 4000K and 5000K color temperature with a great color consistency (within 3-step MacAdam ellipse). Both within fixture and fixture to fixture.
LED life	Minimum 50,000h with 85% of lumen maintenance in 25°C ambient temperature, in compliance with IES LM-80 testing measurements.
Thermal Management	Aluminum housing acting as the heat sink to maximize life.

ELECTRICAL

DC 24 V constant voltage driver provided with 50 ft of cord with the MOLEX® Quick connect plug. (DO NOT CUT)

Luminaire is ONLY compatible with components specified for remote power supply enclosure. See the spec sheet [here](#).

QUICK CONNECT

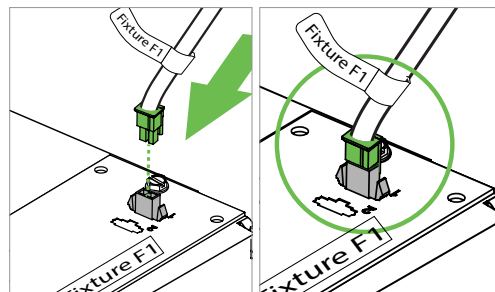


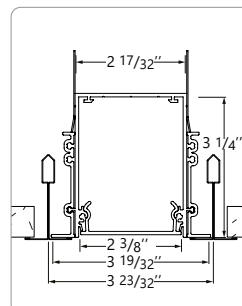
Illustration shows cables that run from RPS to luminaire using MOLEX® Quick Connect plug for easy wiring.

! Please note that luminaire type will be clearly labeled both on the cable and on the luminaire plate in order to match correct cable to its respective luminaire and circuit.

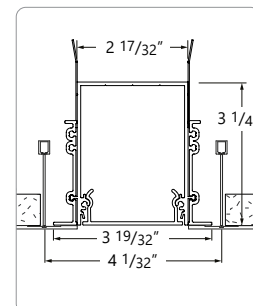
SYSTEM (S(L))

BEAM 2 linear systems, with the use of a strong profile, allow for a nearly hair thin connection system of continuous runs. Lengths of 2' minimum to 12' maximum are available. Runs of BEAM 2 that are greater than 12' in length are designated as systems (S(L)). This means that the run is comprised of a combination of sections to be assembled on site using our joining system. For more information on systems and joining, please refer to the BEAM 2 installation sheets available for download at www.axislighting.com.

TB CEILING MOUNTING OPTIONS



TB15 15/16" T-BAR

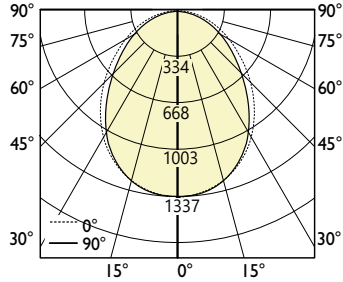


TB24 1 1/2" T-BAR

● PHOTOMETRIC DATA

750 lm/ft - SO lens

PHOTOMETRIC CURVE



Luminaire Lumens: 3070 lm (for 4 ft)
Input Watts: 36.5 W
Efficacy: 84 lm/W

IES FILE: BCB2RMRI-90-35-SO-4-W-DC.ies
 TESTED ACCORDING TO IES LM-79-2008

CANDELA DISTRIBUTION

Vertical Angle	Horizontal Angles				
	0	22.5	45	67.5	90
0	1335	1335	1335	1335	1335
5	1321	1317	1320	1320	1324
15	1248	1246	1234	1232	1228
25	1115	1102	1088	1071	1064
35	938	920	896	868	859
45	735	718	692	658	649
55	526	520	492	463	453
65	340	335	314	293	288
75	175	172	163	152	149
85	50	47	43	38	37
90	2	2	1	1	1

ZONAL LUMENS

Zone	Lumens
0	
0-10	125
10-20	349
20-30	502
30-40	563
40-50	537
50-60	446
60-70	317
70-80	177
80-90	52
90	

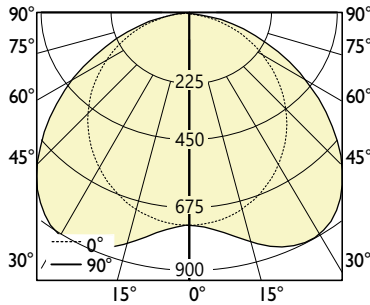
LUMINANCE DATA (cd/m²)

Vertical Angle	Horizontal Angles		
	0	45	90
45	14670	13821	12966
55	12950	12120	11148
65	11355	10500	9637
75	9521	8895	8132
85	8153	6945	5953

● PHOTOMETRIC DATA

650 lm/ft - BW Batwing

PHOTOMETRIC CURVE



Luminaire Lumens: 2651 lm (for 4 ft)
Input Watts: 35.01 W
Efficacy: 76 lm/W

IES FILE: BCB2RMRI-90-35-BW-4-W-DC.ies
 TESTED ACCORDING TO IES LM-79-2008

CANDELA DISTRIBUTION

Vertical Angle	Horizontal Angles				
	0	22.5	45	67.5	90
0	737	737	737	737	737
5	734	736	739	743	745
15	712	727	766	804	816
25	663	701	793	869	891
35	590	648	782	866	882
45	496	562	707	773	772
55	386	446	575	611	596
65	264	307	403	416	398
75	140	165	218	221	209
85	30	40	57	57	55
90	2	4	6	7	7

ZONAL LUMENS

Zone	Lumens
0	
0-10	71
10-20	217
20-30	360
30-40	465
40-50	501
50-60	456
60-70	342
70-80	190
80-90	49
90	

LUMINANCE DATA (cd/m²)

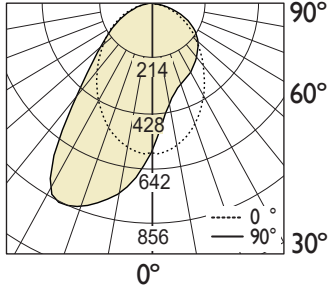
Vertical Angle	Horizontal Angles		
	0	45	90
45	10249	14620	15952
55	9833	14653	15191
65	9140	13921	13775
75	7898	12301	11823
85	4983	9549	9250

i All IES files are available for download at: www.axislighting.com

● PHOTOMETRIC DATA

370 lm/ft - WW Wall wash

PHOTOMETRIC CURVE



Luminaire Lumens: 1490 lm (for 4ft)
Input Watts: 17.35 W
Efficacy: 86 lm/W
 IES FILE: BCB2RMRI-90-35-WW-4'-W-DC.ies

TESTED ACCORDING TO IES LM-79-2008

CANDELA DISTRIBUTION

Vertical Angle	Horizontal Angles				
	0	22.5	45	67.5	90
0	583	583	583	583	583
5	582	536	503	480	475
15	536	432	382	363	360
25	457	345	320	319	321
35	364	282	279	287	292
45	275	229	232	246	258
55	198	175	179	201	217
65	128	117	122	145	159
75	63	59	63	77	84
85	12	12	13	12	11
90	1	2	1	1	1

ZONAL LUMENS

Zone	Lumens
0	
0-10	55
10-20	159
20-30	247
30-40	289
40-50	267
50-60	218
60-70	154
70-80	82
80-90	20
90	

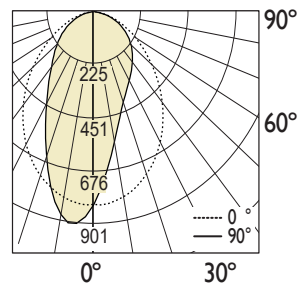
LUMINANCE DATA (cd/m²)

Vertical Angle	Horizontal Angles		
	0	45	90
45	5390	4553	5057
55	4791	4328	5254
65	4198	4016	5214
75	3396	3393	4501
85	1850	2060	1776

● PHOTOMETRIC DATA

360 lm/ft - GZ graze

PHOTOMETRIC CURVE



Luminaire Lumens: 1454 lm (for 4ft)
Input Watts: 17.35 W
Efficacy: 84 lm/W
 IES FILE: BCB2RMRI-90-35-GZ-4'-W-DC.ies

TESTED ACCORDING TO IES LM-79-2008

CANDELA DISTRIBUTION

Vertical Angle	Horizontal Angles				
	0	22.5	45	67.5	90
0	815	815	815	815	815
5	813	761	718	684	679
15	765	624	527	476	464
25	676	488	397	366	361
35	556	373	313	302	302
45	421	279	248	248	252
55	285	201	188	192	198
65	171	130	126	132	138
75	80	64	66	70	73
85	15	13	15	14	14
90	1	1	1	1	1

ZONAL LUMENS

Zone	Lumens
0	
0-10	75
10-20	192
20-30	250
30-40	261
40-50	241
50-60	199
60-70	142
70-80	77
80-90	19
90	

LUMINANCE DATA (cd/m²)

Vertical Angle	Horizontal Angles		
	0	45	90
45	8260	4877	4942
55	6910	4541	4790
65	5623	4143	4518
75	4274	3528	3913
85	2381	2355	2192

i All IES files are available for download at: www.axislighting.com

● WARRANTY

Axis Lighting will warrant defective LEDs, boards, EMI filters and drivers for 5 years from date of purchase. Warranty is valid only if luminaire is installed and used according to specifications and installation instructions.

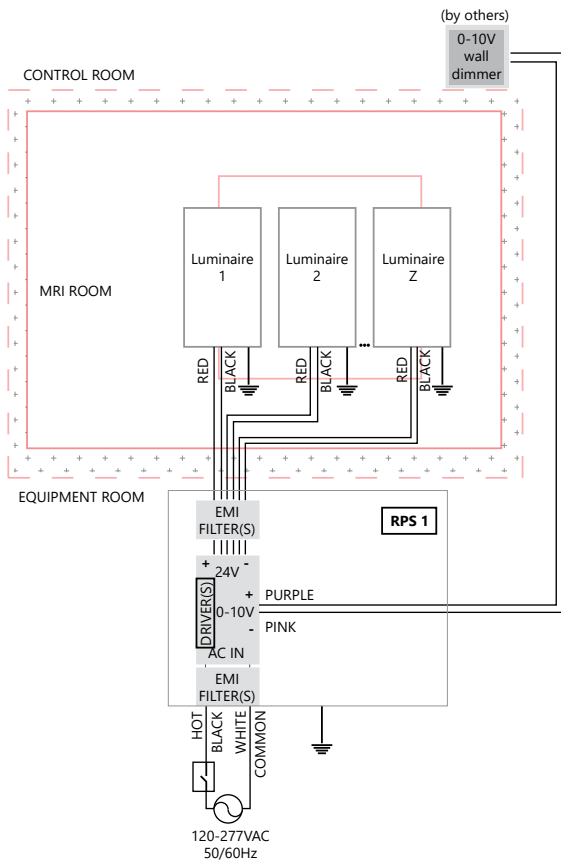
If defective, Axis will send replacement boards, filters or drivers at no cost along with detailed replacement instructions and instructions on how to return defective components to Axis.

Please fill out Specifier Acknowledgment and affirm that the MRI Installation Registration checklist will be provided to the installer to be completed, signed and returned to your respective Axis lighting Project Manager.

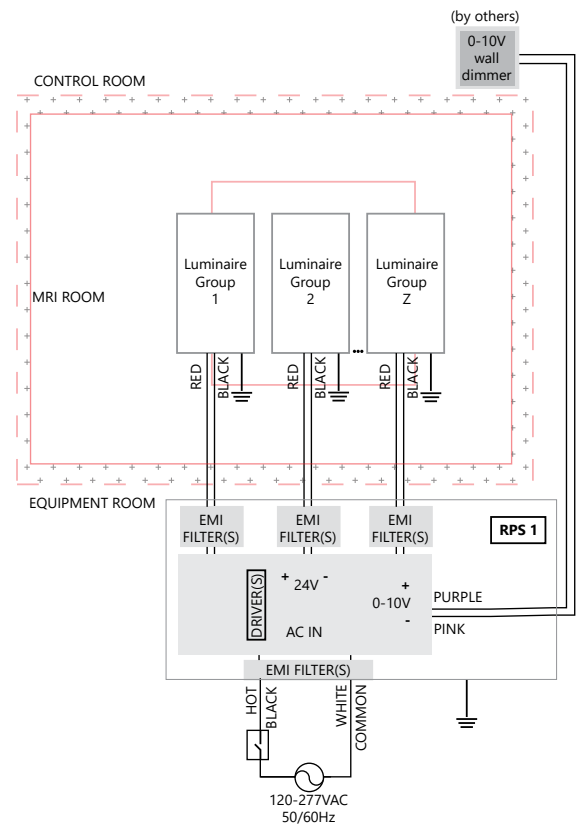
For warranty purposes please carefully read all supporting instructions, and make sure to follow them for the installation.

This Axis Lighting warranty will not go into effect until receipt of the signed Installation Registration Checklist (see last page).

EXAMPLE WIRING DIAGRAMS



Single connection installation



Multiple connection installation

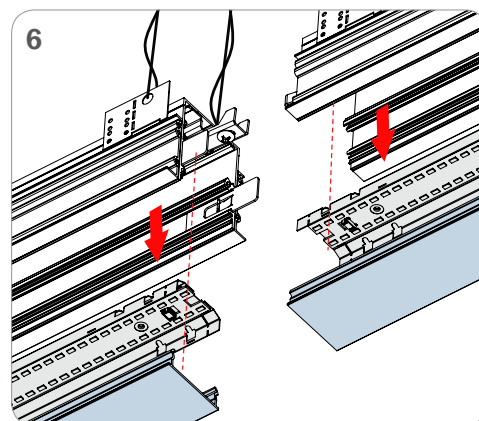
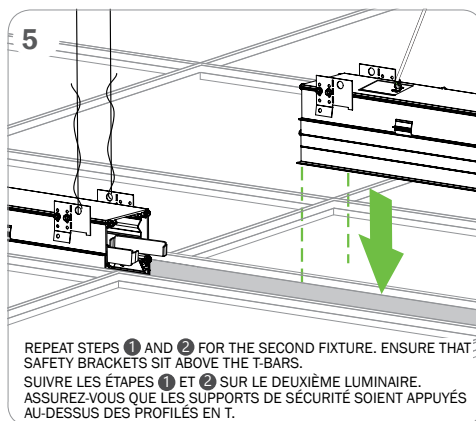
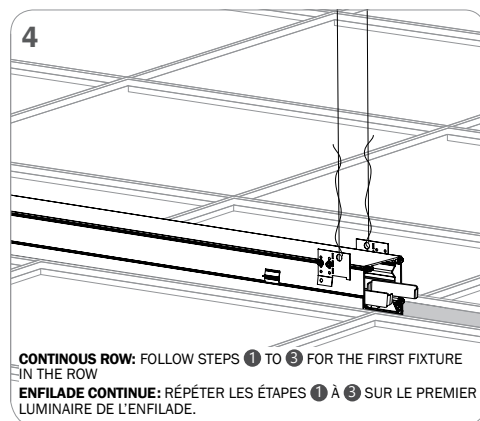
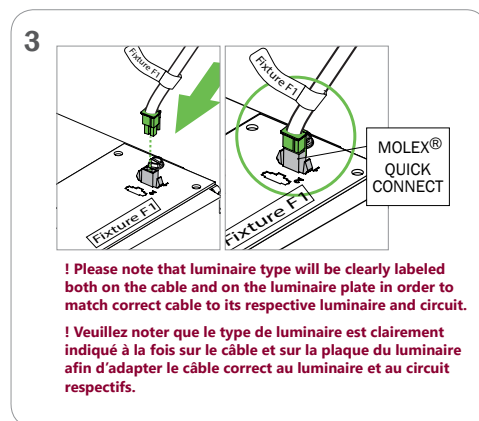
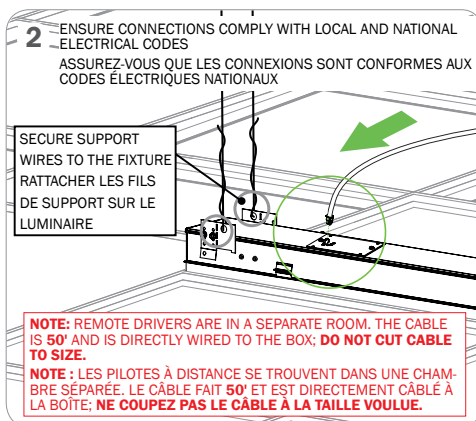
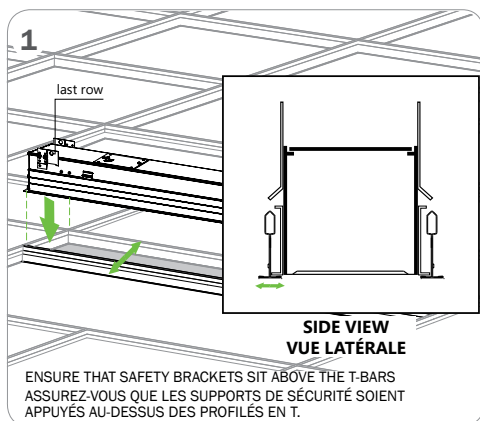
See more details on wiring on [RPS spec sheet](#).

● IMPORTANT SAFETY MEASURES

Power must be supplied by grounded Axis Remote Power Supply to ensure adequate EMI filtering. Remote power supply system must be ordered separately, and installed according to provided instructions. Please follow link for the [RPS spec sheet](#).

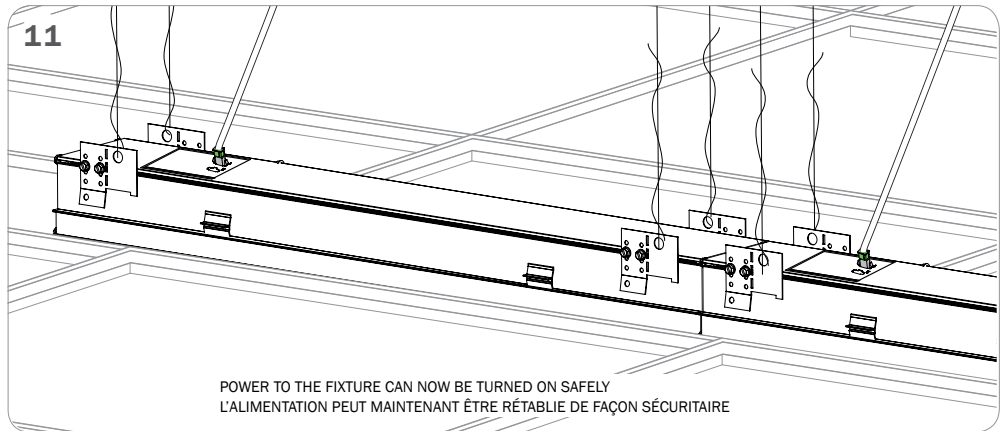
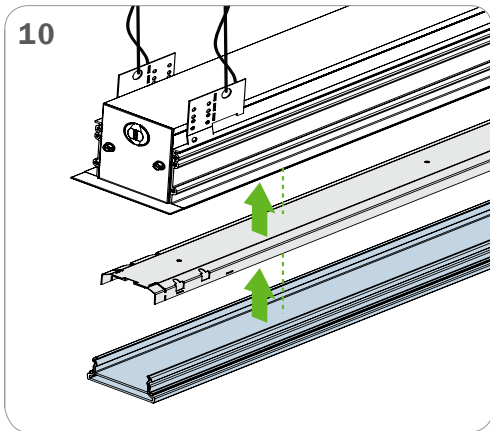
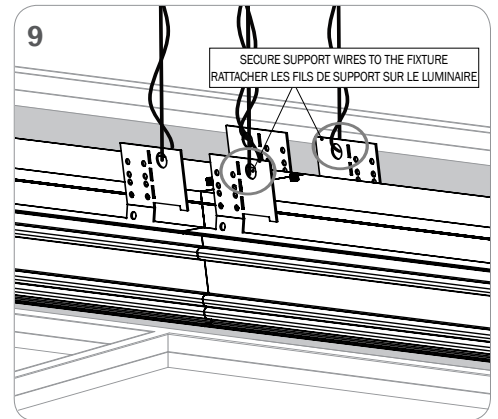
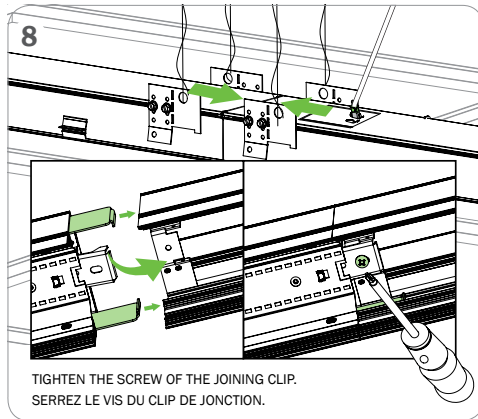
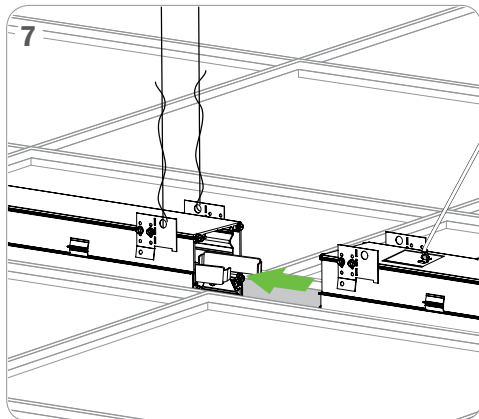
- This product must be installed in accordance with the applicable installation code by a person familiar with the construction and operation of the product and the hazards involved in an MRI environment.
- Disconnect power to all circuits before wiring fixture.
- Install in accordance with all national, state, and local codes.
- Remote power supply box **MUST** be grounded
- Failure to install unit on a mechanically-sound surface may result in personal injury, physical damage, or potential fire hazard
- Use installation procedures appropriate for an environment involving MRI and sensitive electronic equipment.
- Read all fixture markings and labels to ensure correct installation of fixture
- Supplemental instructions may be located on the fixture, in addition to the instruction sheet provided with the shop drawing, regarding orientation, or mounting restrictions.

● INSTALLATION INSTRUCTIONS



*SEE NEXT PAGE FOR FOLLOWING STEPS

*REST OF INSTALLATION PROCESS



*SEE NEXT PAGE FOR SPECIFIER ACKNOWLEDGMENT FORM

SPECIFIER ACKNOWLEDGMENT

Contractor acknowledges and understands the requirements of installing Axis Lighting products prior to the installation. **Please sign below before Axis Lighting releases your order.**

Signature: _____

Date: _____

Print Name: _____

Project Name: _____

Send the form to your Axis Lighting Project Manager

----- *SEE NEXT PAGE FOR MRI INSTALLATION REGISTRATION CHECKLIST

MRI INSTALLATION REGISTRATION CHECKLIST

Customer acknowledges that attached Installation Registration Checklist will be provided to the installer to sign and return to Axis Lighting after the installation is complete.

Please fill out this form and return to your Axis Lighting Project Manager.

The warranty for your MRI installation will not go into effect until receipt of this signed registration checklist.

I certify that the lighting installation for the listed MRI suite is completed per the provided installation instructions and to the best of my abilities.

Please check off to denote status:

Installation instruction sheet for Remote Power Supply is read and followed.

Remote Power supply is located outside the shielded MRI exam room and grounded.

All dimming signals wiring is located outside the shielded MRI room.

Lighting system fully tested (including dimming operation if applicable) while MRI machine is in idle mode.

Lighting system fully tested (including dimming operation, if applicable) while MRI machine is in scan operation mode with the magnets fully activated.

If any of those steps cannot be completed or you need technical assistance, please contact Axis Lighting After Sales: at aftersalesteam@axislighting.com

Electrical Contractor

Installation site

Name: _____

Project Name: _____

Phone: _____

City / State (Province) _____

Installation date: _____

Send the form to your Axis Lighting Project Manager

Axis Lighting Project Manager: _____

Date: _____