



Project _____

Type _____

Notes _____

- Create shapes of continuous light
- Circles, Rectangles, Arcs
- Partial or complete circles with nominal diameters of 3', 13', 23'
- Can be combined with straight sections of up to 8' length, or longer system runs
- 3000K, 3500K, 4000K, 5000K
- 90 CRI
- Non-ferrous

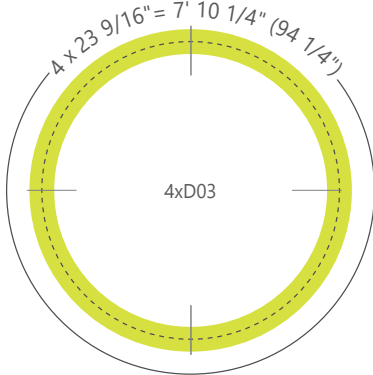
PERFORMANCE AT 4000K

NOMINAL LUMEN OUTPUT	TYPICAL WATTS*
700 lm/ft	12 W/ft

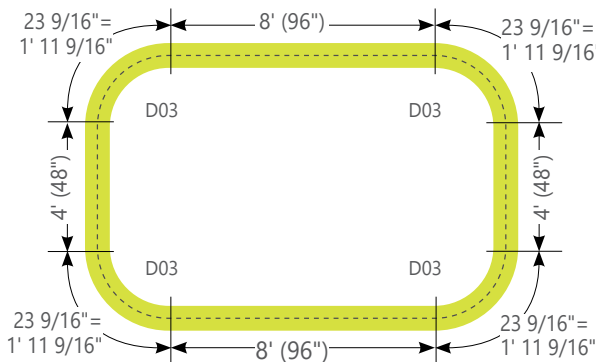
*Typical watts are +/-10%, and need to be considered for total wattage of remote drivers



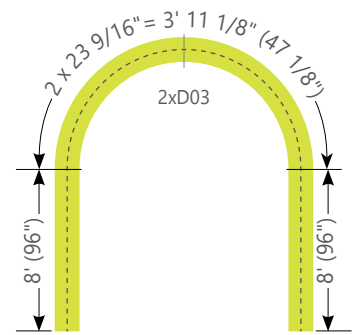
i Drawings are not to scale



SK-10003-CIR-AL7' 10 1/4"
Circle Pattern



SK-#-REC-AL28'46 1/4"
Rectangle Pattern



SK-#-ASO-AL19'11 1/8"
Other Shape Pattern

ALL ORDERS MUST BE SUBMITTED WITH DRAWINGS INDICATING DIMENSIONS, ANGLES AND DIAMETER

BCSKMRI		PROJECT REFERENCE #		PATTERNS	LENGTH	NOM. LUMENS/FT	CRI
PRODUCT ID	Sketch Recessed MRI	10003	D03-30" diameter circle	REC	AL(L)	700	90
		10013	D13-150" diameter circle	CIR	pattern length*	700 lm/ft	90 CRI
		10023	D23-270" diameter circle	ARC			
		#	for all other shapes*	ASO			
				LIN			
*For different radius consult factory.					* Nominal length. Lengths greater than 8' will be combined as a system run.		

COLOR TEMP. (choose one)	SHIELDING	FINISH	VOLTAGE	MOUNTING	CUSTOM (OPTIONAL)
30 3000 K	SO spotless lens	W white	DC 24 V low voltage	DF drywall flange	C custom
35 3500 K		C custom		DS drywall spackle flange	
40 4000 K					
50 5000 K					
With remote driver Provided with 50 ft cord. DO NOT CUT. Luminaire is only compatible with components specified for Remote power supply enclosure. See the spec sheet here .					Please specify

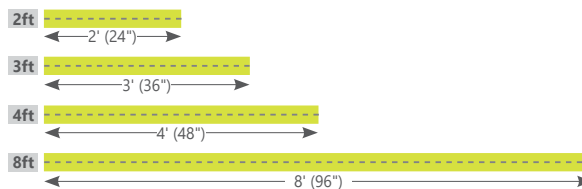
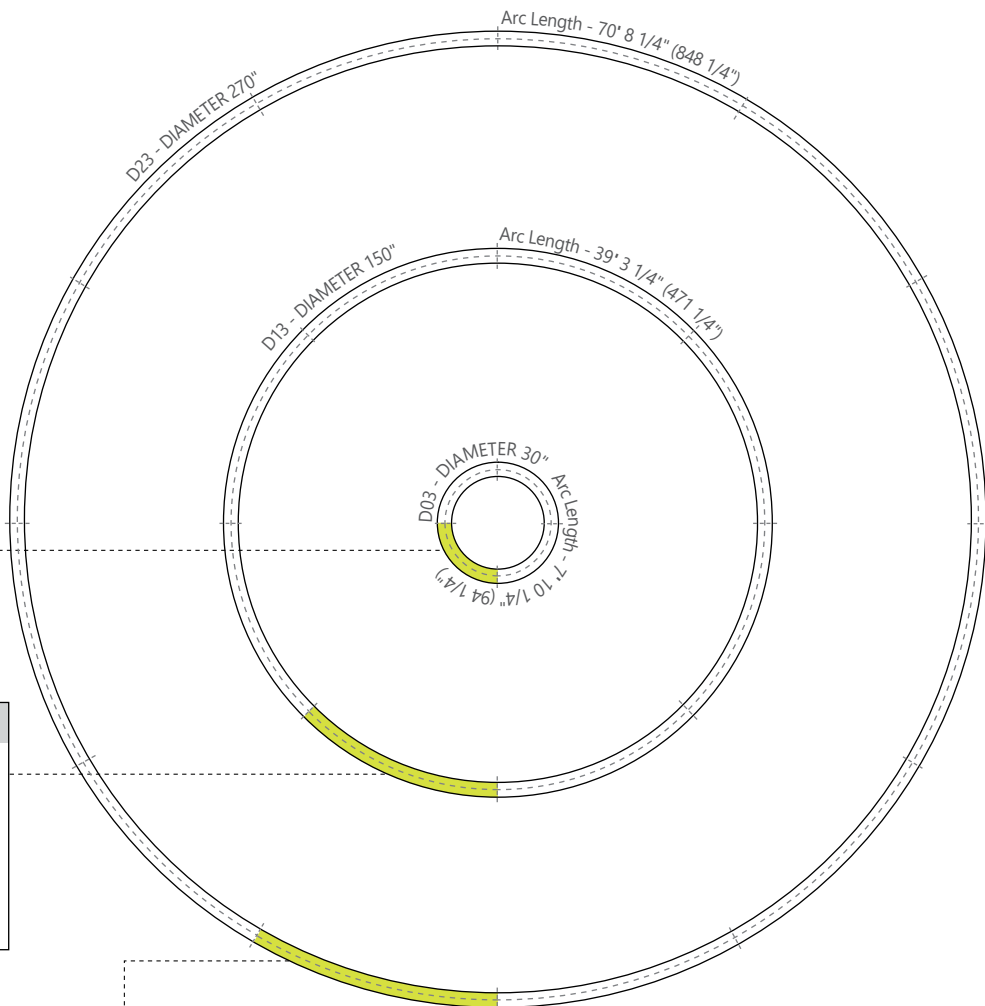
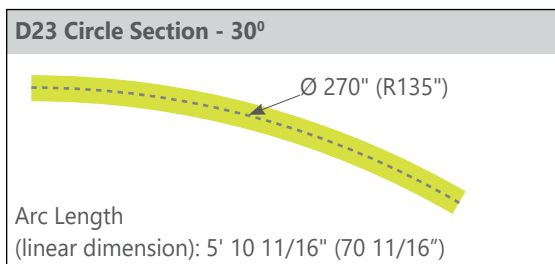
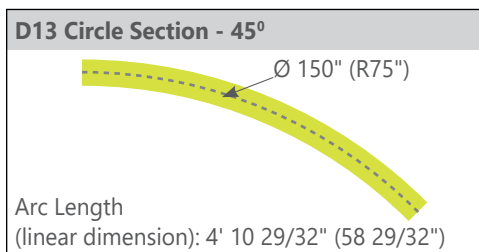
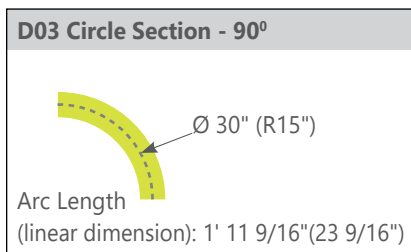
i Patent pending

Remote power supply ordered separately. See Remote Power supply spec sheet.

ALL ORDERS MUST BE SUBMITTED WITH DRAWINGS INDICATING DIMENSIONS, ANGLES AND DIAMETER

● **LUMINAIRE SECTIONS**

The center line indicates the diameter at the center of the curve. Regardless of the mounting style, the centre line remains the same. This is the dimension that should be used when planning a layout.



i Patent pending

ALL ORDERS MUST BE SUBMITTED WITH DRAWINGS INDICATING DIMENSIONS, ANGLES AND DIAMETER

● HOW TO ORDER?

i Drawings are not to scale

EXAMPLE 1 - Circle Pattern

CODE: BCSKMRI-10003-CIR-AL7'10 1/4"

EXAMPLE 2 - Custom Shape Pattern

CODE: BCSKMRI-#-ASO-AL19'11 1/8"

EXAMPLE 3 - Rectangle Pattern

BCSKMRI-#-REC-AL28'46 1/4"

EXAMPLE 4 - Arc Section Pattern

BCSKMRI-#-ARC-AL19' 7 5/8"

i Patent pending

● PRODUCT DESCRIPTION

Sketch Recessed allows freedom to create shapes of continuous light. Its modules offer a wide range of options making it possible to build partial and complete circles with 3', 13' and 23' nominal diameters. These can be combined with straight sections.

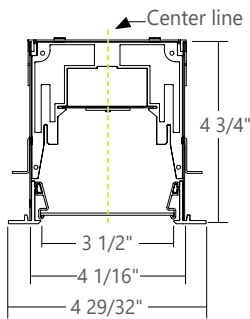
- i** Consult your Axis Representative to coordinate specification. A detailed drawing of the intended installation must be provided with each order.

● CONSTRUCTION

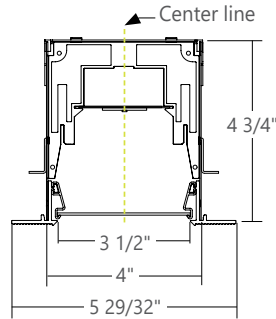
Housing Walls	Die formed aluminum sheet (16 gauge)
Housing Top	Die formed aluminum sheet (14 gauge)
Incap & Cross Brkt.	Die cast aluminum
Flanges	Extruded aluminum

● CEILING SYSTEM

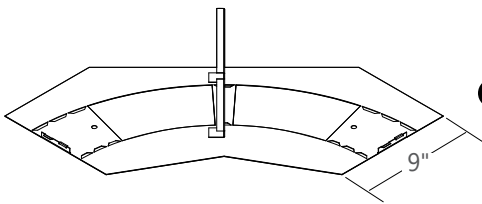
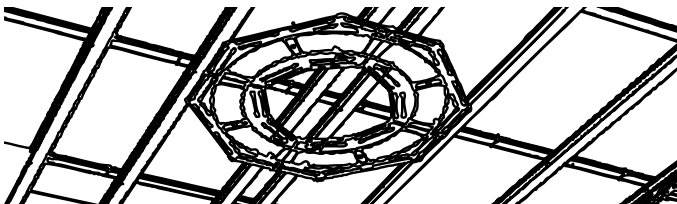
● DRYWALL WITH FLANGE



● DRYWALL SPACKLE FLANGE



EASY INSTALLATION WITH MOUNTING PLATES



i Patent pending

Mounting plates are installed behind the sheetrock to guide the cutting for installation of the luminaire housing using a rotary saw. The plates also allow for the layout of the luminaires to be confirmed before the final cuts are made.

- i** Installation sheets for all mounting options will be available shortly at: www.axislighting.com

● WEIGHT

Approximately 2.5lbs/ft = 1.1kg/ft (linear)

● FINISH

Highly reflective, white powder coat finish paint for high efficiency. Matte texture to diffuse glare and lamp image on the surface within the optical chamber exterior. Custom finishes are also available.

● LED SYSTEM

CRI	Minimum 90 color rendering index.
CCT Single Color	Choice of 3000K, 3500K, 4000K and 5000K color temperature with a great color consistency (within 3-step MacAdam ellipse). Both within fixture and fixture to fixture.
LED life	Minimum 50,000h with 85% of lumen maintenance in 25°C ambient temperature, in compliance with IES LM-80 testing measurements.
Thermal Management	Aluminum housing acting as the heat sink to maximize life.

● ELECTRICAL

- DC** 24 V constant voltage driver provided with 50 ft of cord with the MOLEX® Quick connect plug. (DO NOT CUT)
Luminaire is **ONLY** compatible with components specified for remote power supply enclosure. See the spec sheet [here](#).

● QUICK CONNECT

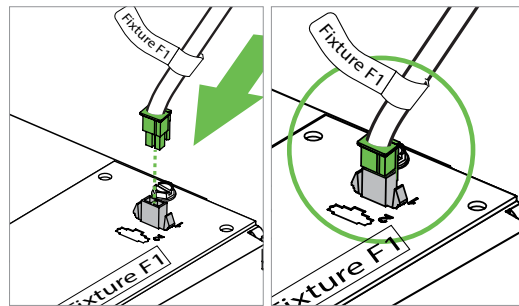
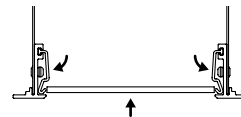


Illustration shows cables that run from RPS to luminaire using MOLEX® Quick Connect plug for easy wiring.

! Please note that luminaire type will be clearly labeled both on the cable and on the luminaire plate in order to match correct cable to its respective luminaire and circuit.

● LENS

- Spotless Lens** Highly transmissive laser cut polycarbonate 0.060" thick with easy snap installation.



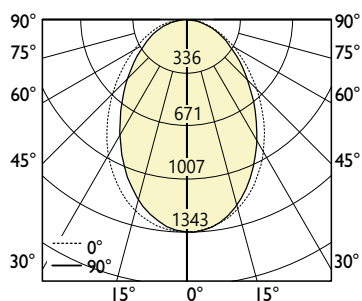
i Patent pending

● APPROVALS

- Certified to CSA standards ^{us}
- Suitable for damp locations.
- IC Rated (Insulated ceiling)
- Independently tested and certified to meet MIL-Std 461-G for conducted and radiated emissions.

● PHOTOMETRIC DATA

PHOTOMETRIC CURVE



Luminaire Lumens: 2728 lm

Input Watts: 44.35 W

Efficacy: 62 lm/W

IES FILE:

BCSKMRI-90-35-SO-4-W-DC.ies

TESTED ACCORDING TO IES LM-79-2008

CANDELA DISTRIBUTION

Vertical Angle	Horizontal Angles				
	0	22.5	45	67.5	90
0	1341	1341	1341	1341	1341
5	1333	1335	1337	1337	1336
15	1249	1254	1248	1238	1229
25	1089	1091	1070	1044	1027
35	877	876	844	808	789
45	652	651	619	588	573
55	453	452	429	413	399
65	293	293	282	272	265
75	169	169	163	160	154
85	56	56	54	51	49
90	2	5	8	10	9

ZONAL LUMENS

Zone	Lumens
0	
0-10	125
10-20	342
20-30	473
30-40	503
40-50	454
50-60	364
60-70	262
70-80	157
80-90	47
90	

LUMINANCE DATA (CD/M²)

Vertical Angle	Horizontal Angles		
	0	45	90
45	8695	8247	7640
55	7441	7051	6555
65	6530	6289	5914
75	6138	5940	5609
85	6058	5854	5328

i All IES files are available for download at: www.axislighting.com

i Patent pending

● WARRANTY

Axis Lighting will warrant defective LEDs, boards, EMI filters and drivers for 5 years from date of purchase. Warranty is valid only if luminaire is installed and used according to specifications and installation instructions.

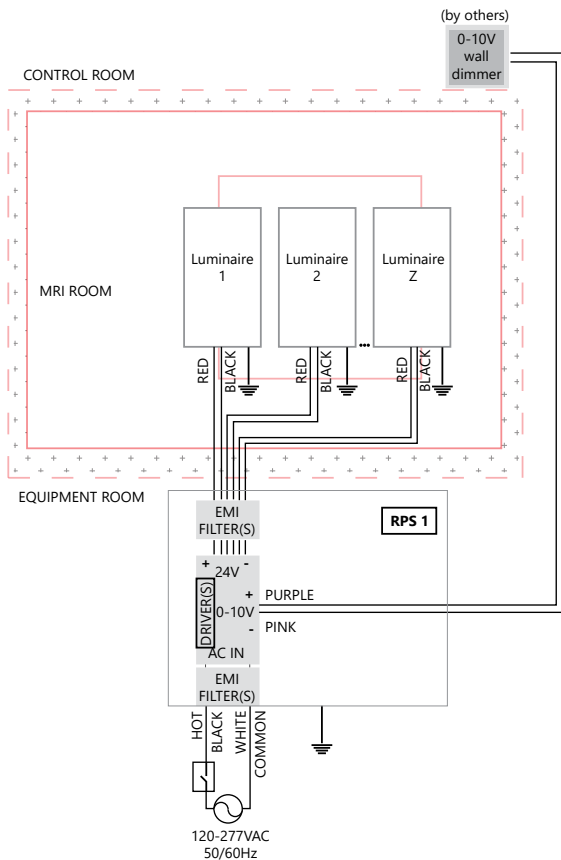
If defective, Axis will send replacement boards, filters or drivers at no cost along with detailed replacement instructions and instructions on how to return defective components to Axis.

Please fill out Specifier Acknowledgment and affirm that the MRI Installation Registration checklist will be provided to the installer to be completed, signed and returned to your respective Axis lighting Project Manager.

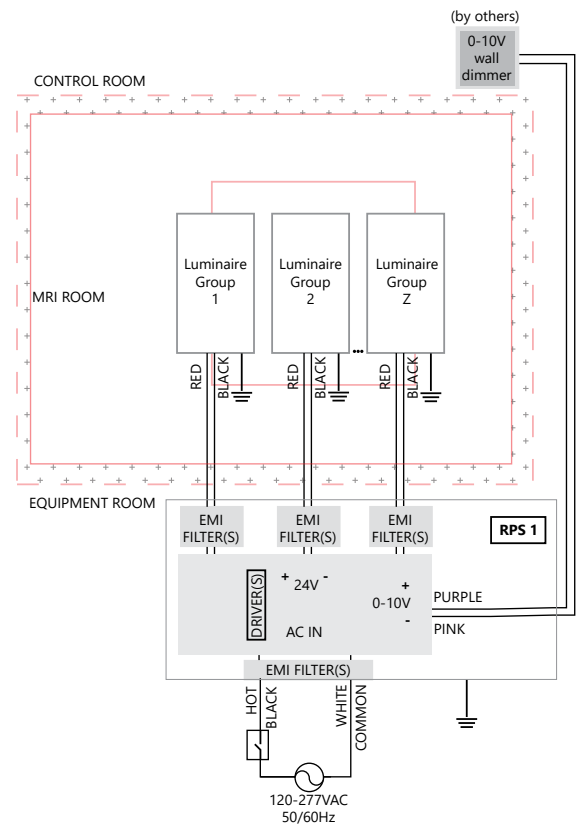
For warranty purposes please carefully read all supporting instructions, and make sure to follow them for the installation.

This Axis Lighting warranty will not go into effect until receipt of the signed Installation Registration Checklist (see last page).

EXAMPLE WIRING DIAGRAMS



Single connection installation



Multiple connection installation

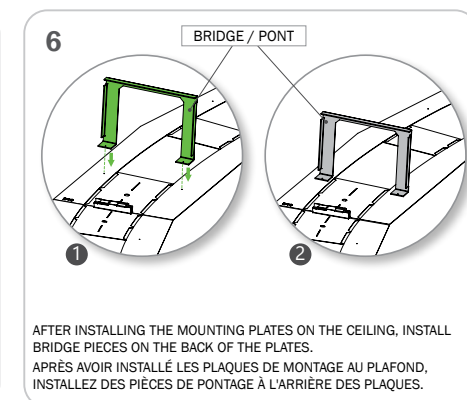
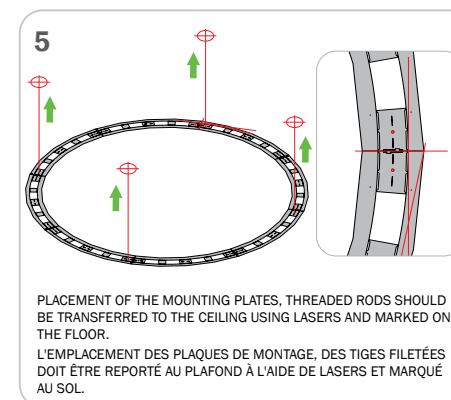
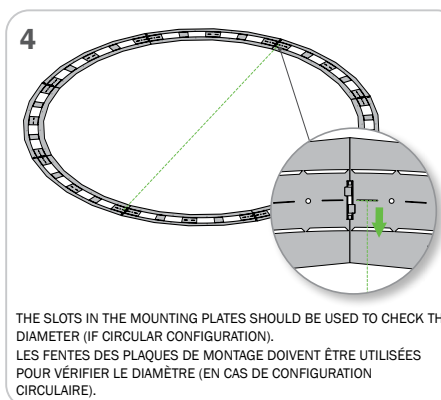
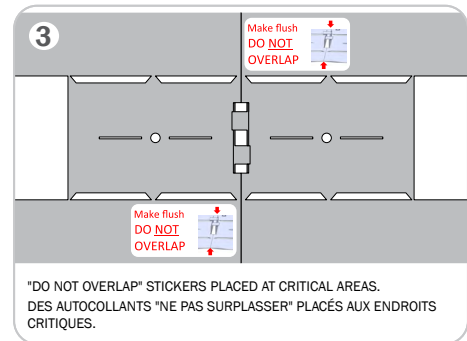
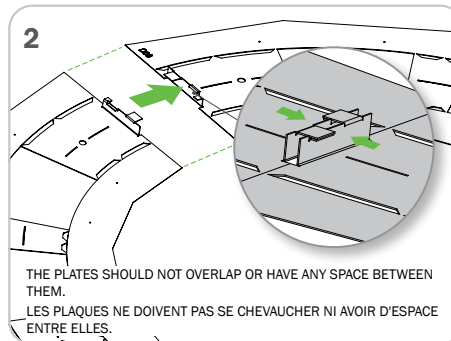
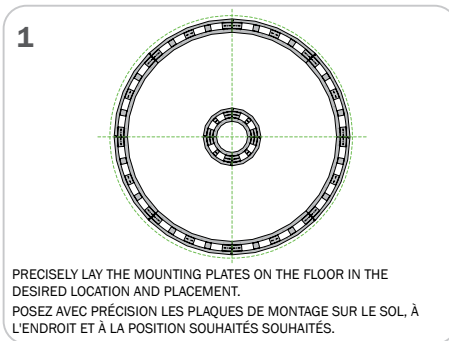
See more details on wiring on [RPS spec sheet](#).

● IMPORTANT SAFETY MEASURES

Power must be supplied by grounded Axis Remote Power Supply to ensure adequate EMI filtering. Remote power supply system must be ordered separately, and installed according to provided instructions. Please follow link for the [RPS spec sheet](#).

- This product must be installed in accordance with the applicable installation code by a person familiar with the construction and operation of the product and the hazards involved in an MRI environment.
- Disconnect power to all circuits before wiring fixture.
- Install in accordance with all national, state, and local codes.
- Remote power supply box **MUST** be grounded
- Failure to install unit on a mechanically-sound surface may result in personal injury, physical damage, or potential fire hazard
- Use installation procedures appropriate for an environment involving MRI and sensitive electronic equipment.
- Read all fixture markings and labels to ensure correct installation of fixture
- Supplemental instructions may be located on the fixture, in addition to the instruction sheet provided with the shop drawing, regarding orientation, or mounting restrictions.

● INSTALLATION INSTRUCTIONS



*SEE NEXT PAGE FOR FOLLOWING STEPS

*REST OF INSTALLATION PROCESS

7

CROSS BRACKETS
SUPPORTS TRANSVERSAUX

CROSS BRACKETS
SUPPORTS TRANSVERSAUX

KNOCK OUT CROSS BRACKETS FROM THE MOUNTING PLATES.
DÉTACHEZ LES SUPPORTS TRANSVERSAUX DES PLAQUES DE MONTAGE.

8

FURINGS AND CHANNELS THAT INTERFERE WITH THE OPENING SHOULD BE CUT SO THAT THE OPENING FOR THE LUMINAIRE IS CLEAR. REINFORCE THE CEILING STRUCTURE AS REQUIRED BY THE APPLICATION.
LES FOURRURES ET LES CANAUX QUI INTERFÈRENT AVEC L'OUVERTURE DOIVENT ÊTRE COUPÉS DE MANIÈRE À LIBÉRER L'OUVERTURE POUR LE LUMINAIRE. RENFORCEZ LA STRUCTURE DU PLAFOND COMME L'EXIGE L'APPLICATION.

9

SECURE DRYWALL SHEETS TO THE SURFACE OF THE MOUNTING PLATES AND FURRINGS. MARK THE LOCATION TO START THE CUT OF THE LUMINAIRE OPENING.
FIXEZ LES PLAQUES DE PLÂTRE À LA SURFACE DES PLAQUES DE MONTAGE ET DES FOURRURES. MARQUEZ L'EMPLACEMENT POUR COMMENCER LA DÉCOUPE DE L'OUVERTURE DU LUMINAIRE.

10

CUT THE LUMINAIRE OPENING IN THE DRYWALL SHEETS WITH A ROTARY SAW USING THE INSIDE EDGE OF THE MOUNTING PLATES AS A GUIDE.
DÉCOUPEZ L'OUVERTURE DU LUMINAIRE DANS LES PLAQUES DE PLÂTRE À L'AIDE D'UNE SCIE ROTATIVE EN UTILISANT LE BORD INTÉRIEUR DES PLAQUES DE MONTAGE COMME GUIDE.

11

REMOVE THE LENS AND THE LED CARTRIDGES FROM THE LUMINAIRE.
RETIREZ LA LENTILLE ET LES CARTOUCHES DE DEL DU LUMINAIRE.

12

NOTE: REMOTE DRIVERS ARE IN A SEPARATE ROOM. THE CABLE IS 50' AND IS DIRECTLY WIRED TO THE BOX; DO NOT CUT CABLE TO SIZE.
NOTE : LES PILOTES À DISTANCE SE TROUVENT DANS UNE CHAMBRE SÉPARÉE. LE CÂBLE FAIT 50' ET EST DIRECTEMENT CÂBLÉ À LA BOÎTE; NE COUPEZ PAS LE CÂBLE À LA TAILLE VOULUE.

MAKE POWER CONNECTION FROM EACH LUMINAIRE TO THE REMOTE DRIVER BOX ACCORDING TO WIRING DIAGRAM ON PAGE 1.
EFFECTUEZ LE RACCORDEMENT ÉLECTRIQUE DE CHAQUE LUMINAIRE AU BÔTIER DE COMMANDE À DISTANCE, CONFORMÉMENT AU SCHEMA DE CÂBLAGE DE LA PAGE 1.

13

MOLEX® QUICK CONNECT

! Please note that luminaire type will be clearly labeled both on the cable and on the luminaire plate in order to match correct cable to its respective luminaire and circuit.
! Veuillez noter que le type de luminaire est clairement indiqué à la fois sur le câble et sur la plaque du luminaire afin d'adapter le câble correct au luminaire et au circuit respectifs.

14

ENSURE THE MOUNTING BRACKETS ARE INSIDE THE LUMINAIRE HOUSINGS SO THE FIXTURES CAN PASS INTO THE CEILING OPENING.
ASSUREZ-VOUS QUE LES SUPPORTS DE MONTAGE SE TROUVENT À L'INTÉRIEUR DES BÔTIERS DES LUMINAIRES AFIN QUE LES SECTIONS PUISSENT PASSER DANS L'OUVERTURE DU PLAFOND.

15

INSERT EACH LUMINAIRE SECTION INTO THE CEILING ONE AT A TIME. PRESS THE MOUNTING BRACKETS OUT OF THE FIXTURE SO THEY REST ON THE BACK OF THE MOUNTING PLATE. SCREW THE SCREWS BUT DO NOT COMPLETELY TIGHTEN THEM.
INSÉREZ CHAQUE SECTION DE LUMINAIRE DANS LE PLAFOND, UNE À LA FOIS. APPUYEZ SUR LES SUPPORTS DE MONTAGE POUR LES FAIRE SORTIR DU LUMINAIRE AFIN QU'ILS REPOSENT SUR L'ARRIÈRE DE LA PLAQUE DE MONTAGE. VISSEZ LES VIS MAIS NE LES SERREZ PAS COMPLÈTEMENT.

16

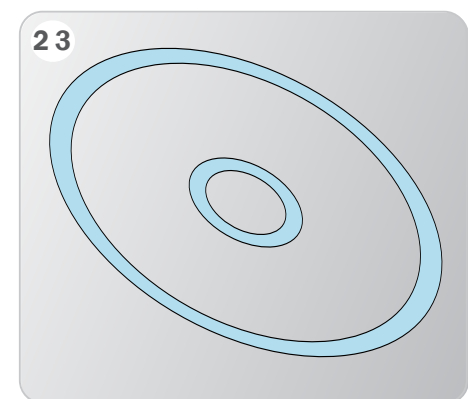
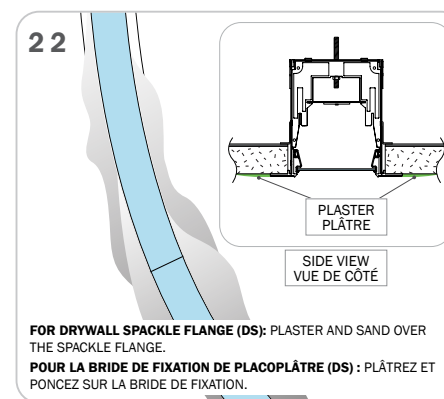
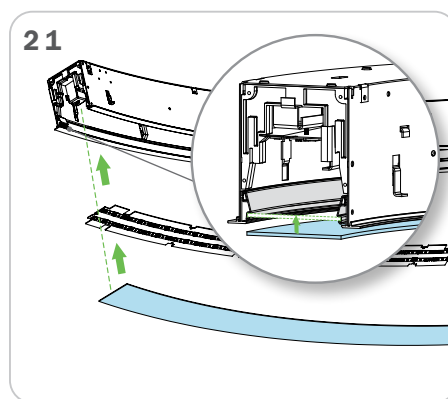
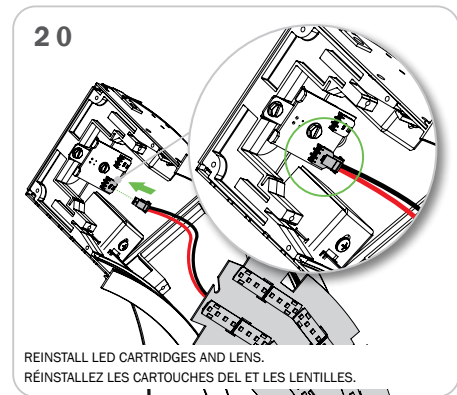
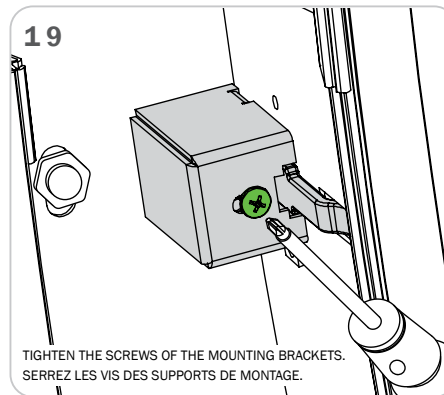
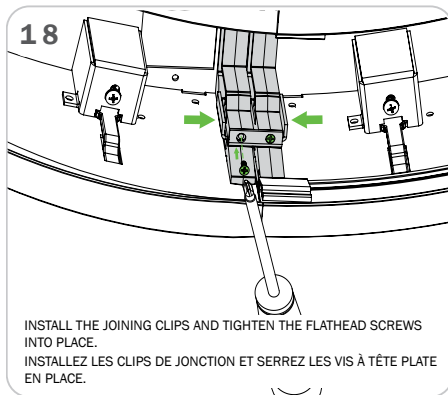
SECURE THE LUMINAIRE TO THE THREADED RODS WITH NUTS.
FIXEZ LE LUMINAIRE AUX TIGES FILETÉES À L'AIDE D'ÉCROUS.

17

OPTIONAL CABLE TIE-OFF TABS AT END OF LUMINAIRE
LANGUETTES DE FIXATION DES CÂBLES OPTIONNELS À L'EXTRÉMITÉ DU LUMINAIRE

*SEE NEXT PAGE FOR FOLLOWING STEPS

*REST OF INSTALLATION PROCESS



*SEE NEXT PAGE FOR SPECIFIER ACKNOWLEDGMENT FORM

SPECIFIER ACKNOWLEDGMENT

Contractor acknowledges and understands the requirements of installing Axis Lighting products prior to the installation. **Please sign below before Axis Lighting releases your order.**

Signature: _____

Date: _____

Print Name: _____

Project Name: _____

Send the form to your Axis Lighting Project Manager

----- *SEE NEXT PAGE FOR MRI INSTALLATION REGISTRATION CHECKLIST

MRI INSTALLATION REGISTRATION CHECKLIST

Customer acknowledges that attached Installation Registration Checklist will be provided to the installer to sign and return to Axis Lighting after the installation is complete.

Please fill out this form and return to your Axis Lighting Project Manager.

The warranty for your MRI installation will not go into effect until receipt of this signed registration checklist.

I certify that the lighting installation for the listed MRI suite is completed per the provided installation instructions and to the best of my abilities.

Please check off to denote status:

Installation instruction sheet for Remote Power Supply is read and followed.

Remote Power supply is located outside the shielded MRI exam room and grounded.

All dimming signals wiring is located outside the shielded MRI room.

Lighting system fully tested (including dimming operation if applicable) while MRI machine is in idle mode.

Lighting system fully tested (including dimming operation, if applicable) while MRI machine is in scan operation mode with the magnets fully activated.

If any of those steps cannot be completed or you need technical assistance, please contact Axis Lighting After Sales: at aftersalesteam@axislighting.com

Electrical Contractor

Name: _____

Phone: _____

Installation date: _____

Installation site

Project Name: _____

City / State (Province) _____

Send the form to your Axis Lighting Project Manager

Axis Lighting Project Manager: _____

Date: _____