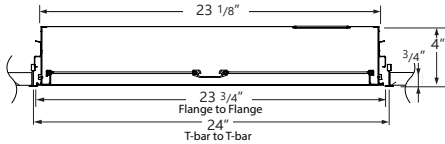


SECTION VIEW



Project _____

Type _____

Notes _____

- Recessed ambient provides soft, even illumination
- Available in general diffuse and wide distributions
- Modular optical chamber with room-side access
- Low profile design, housing only 4" deep
- Non-ferrous all-aluminum construction
- Other sizes available: 1x1

PERFORMANCE AT 3500K

DISTRIBUTION	TYPICAL LUMEN OUTPUT	TYPICAL WATTS*
GENERAL DISTRIBUTION	4000 lm	43 W
WIDE	4400 lm	43 W

Please consult factory for custom lumen output and wattage.

*Typical watts are +/-10%, and need to be considered for total wattage of remote drivers

* Based on a 2' x 2' luminaire using 24VDC input



*Patent pending

Ordering Guide

BCFAMRI	22			
PRODUCT ID	SIZE	CRI	COLOR TEMP. (choose one)	DISTRIBUTION
BCFAMRI Flexible Ambient Recessed MRI	22 2'X2'	90 90 CRI	30 3000 K 35 3500 K 40 4000 K 50 5000 K	GD general diffuse WD wide

CENTER OPTICS	FINISH	VOLTAGE	MOUNTING
BL Blank (non-illuminated center strip)	AMW antimicrobial white* W white C custom**	DC 24V (CV) low voltage	TB15 t-bar 15/16" TB24 t-bar 1 1/2" *
	* Standard finish **Consult factory for NSF.	With remote driver Provided with 50 ft cord. DO NOT CUT. Luminaire is only compatible with components specified for Remote power supply enclosure. See the spec sheet here .	* Consult factory - special order.

Remote power supply ordered separately. See Remote Power supply spec sheet.

● SPECIFICATIONS

Housing	Extruded aluminum (0.065" nominal)
Central Housing	Extruded aluminum (0.065" nominal)
Center Lens	Spotless PMMA lens (optional)
Side Lens	4mm PMMA light guides
Reflectors	Specular aluminum / high reflectance post painted aluminum
Drywall Flange Kit	Extruded aluminum (0.060" nominal)

● FINISH

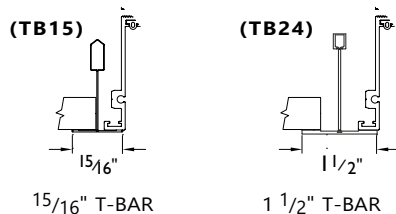
Highly reflective, matte powder coat white paint for high efficiency. Matte texture to diffuse glare and lamp image on the surface within the optical chamber exterior. Custom finishes are also available.

● WEIGHT

Standard	22 lbs / 10 kg
Drywall with Kit	24 lbs / 11 kg

● CEILING SYSTEM

T-BAR STYLE MOUNTING



i Installation sheets for all mounting options are available at: www.axislighting.com

● APPROVALS

With product features that promote cleanability and durability, Axis Lighting meets functional and application-specific industry listings such as UL and National Sanitation Foundation (NSF) standards. Independently tested and certified to meet MIL-Std 461-G for conducted and radiated emissions.

● LED SYSTEM

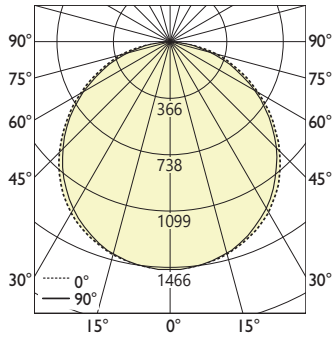
CRI	Minimum 90 color rendering index options.
CCT Single Color	Choice of 3000K, 3500K, 4000K and 5000K color temperature with a great color consistency (within 3-step MacAdam ellipse). Both within fixture and fixture to fixture.
LED life	Minimum 50,000h with 85% of lumen maintenance in 25°C ambient temperature, in compliance with IES LM-80 testing measurements.
Thermal Management	Aluminum housing acting as the heat sink to maximize life.

● ELECTRICAL

DC 24 V constant voltage driver provided with 50 ft of cord with the MOLEX® Quick connect plug. (DO NOT CUT)
 Luminaire is **ONLY** compatible with components specified for remote power supply enclosure. See the spec sheet [here](#).

● PHOTOMETRIC DATA

PHOTOMETRIC CURVE
General Distribution



Luminaire Lumens: 4060 lm
Input Watts: 42.14 W
Efficacy: 96 lm/W
 IES FILE: BCFAMRI-22-4000-90-35-GD-
 BL-AMW-DC.ies

TESTED ACCORDING TO IES LM-79-2008

CANDELA DISTRIBUTION

Vertical Angle	Horizontal Angles				
	0	22.5	45	67.5	90
0	1459	1459	1459	1459	1459
5	1459	1460	1462	1462	1458
15	1408	1412	1415	1421	1420
25	1309	1314	1322	1335	1340
35	1156	1160	1174	1194	1202
45	951	954	970	992	1003
55	714	716	729	748	760
65	469	469	478	491	500
75	238	237	241	247	252
85	59	59	58	57	58
90	2	2	2	3	4

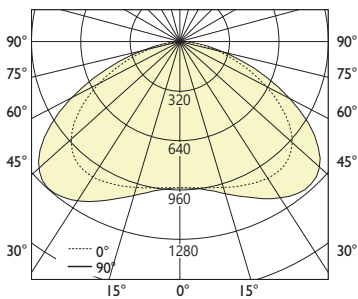
ZONAL LUMENS

Zone	Lumens
0	
0-10	112
10-20	399
20-30	633
30-40	655
40-50	785
50-60	685
60-70	433
70-80	284
80-90	74
90	

LUMINANCE DATA (cd/m²)

Vertical Angle	Horizontal Angles		
	0	45	90
45	4406	4492	4647
55	4079	4159	4339
65	3637	3702	3876
75	3015	3043	3192
85	2229	2170	2186

PHOTOMETRIC CURVE
Wide Distribution



Luminaire Lumens: 4401 lm
Input Watts: 43.59 W
Efficacy: 101 lm/W
 IES FILE: BCFAMRI-22-4000-90-35-WD-
 BL-AMW-DC.ies

TESTED ACCORDING TO IES LM-79-2008

CANDELA DISTRIBUTION

Vertical Angle	Horizontal Angles				
	0	22.5	45	67.5	90
0	985	985	985	985	985
5	991	994	996	996	997
15	1027	1031	1046	1059	1064
25	1075	1086	1119	1153	1168
35	1103	1121	1172	1231	1257
45	1051	1071	1130	1204	1243
55	869	883	933	999	1040
65	589	591	620	660	688
75	296	290	298	309	321
85	72	64	58	53	53
90	2	2	2	2	2

ZONAL LUMENS

Zone	Lumens
0	
0-10	95
10-20	296
20-30	515
30-40	732
40-50	873
50-60	843
60-70	631
70-80	334
80-90	83
90	

LUMINANCE DATA (cd/m²)

Vertical Angle	Horizontal Angles		
	0	45	90
45	4860	5225	5745
55	4950	5317	5927
65	4552	4795	5324
75	3734	3759	4053
85	2705	2193	2002

i All IES files are available for download at: www.axislighting.com

● WARRANTY

Axis Lighting will warrant defective LEDs, boards, EMI filters and drivers for 5 years from date of purchase. Warranty is valid only if luminaire is installed and used according to specifications and installation instructions.

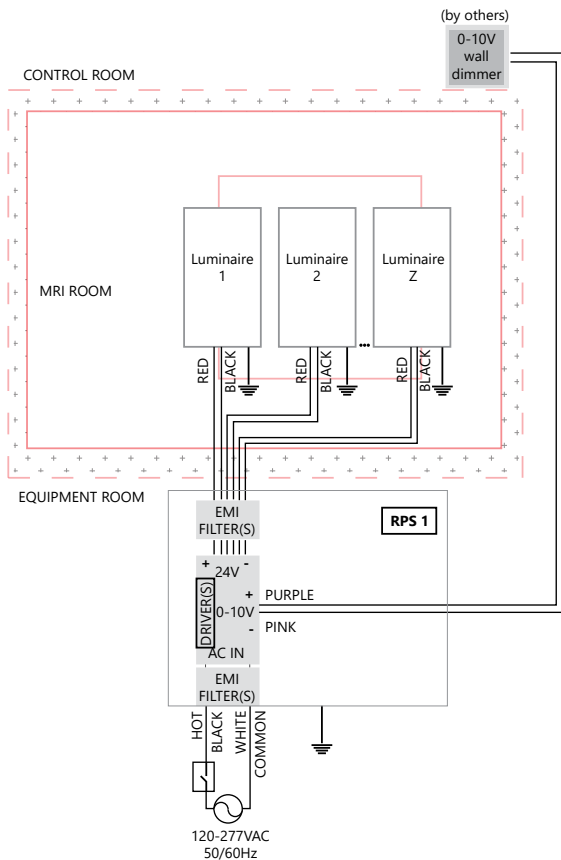
If defective, Axis will send replacement boards, filters or drivers at no cost along with detailed replacement instructions and instructions on how to return defective components to Axis.

Please fill out Specifier Acknowledgment and affirm that the MRI Installation Registration checklist will be provided to the installer to be completed, signed and returned to your respective Axis lighting Project Manager.

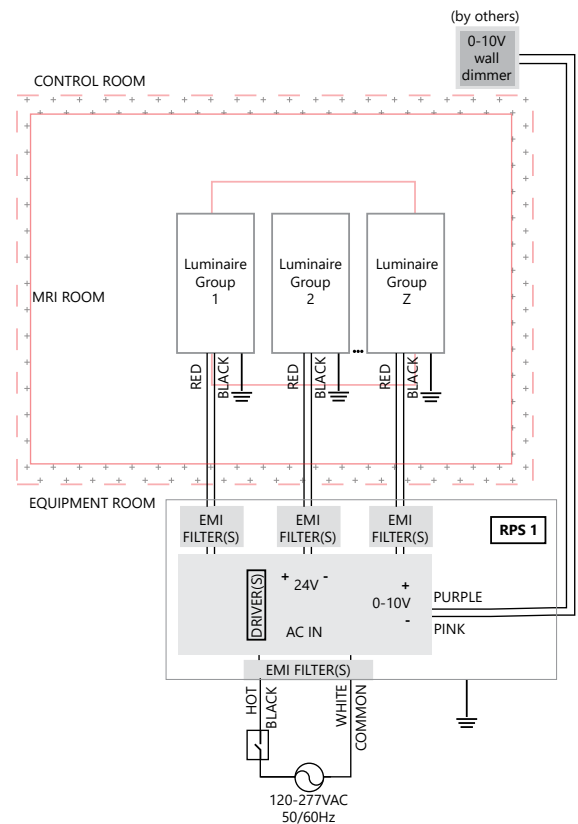
For warranty purposes please carefully read all supporting instructions, and make sure to follow them for the installation.

This Axis Lighting warranty will not go into effect until receipt of the signed Installation Registration Checklist (see last page).

EXAMPLE WIRING DIAGRAMS



Single connection installation



Multiple connection installation

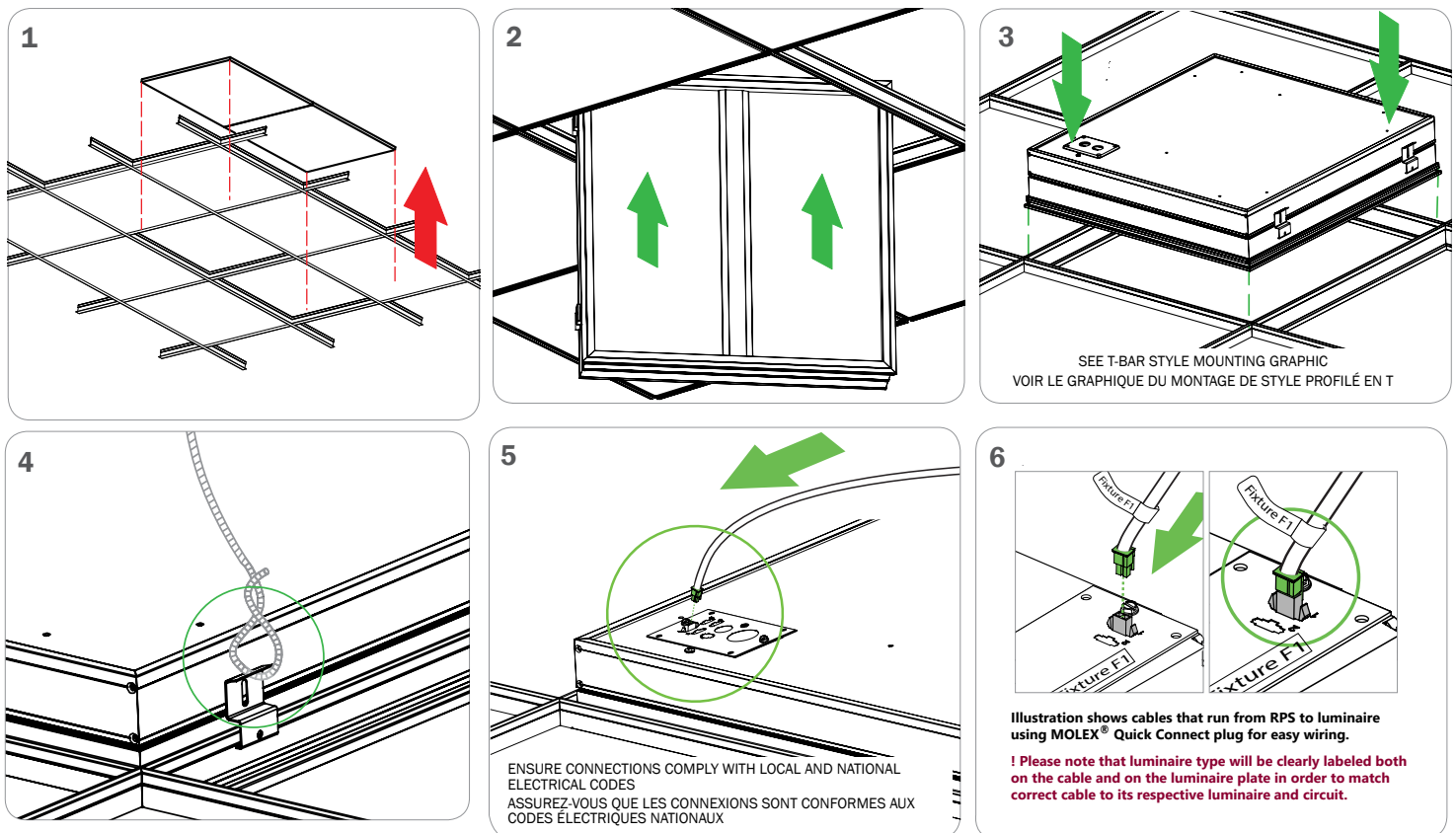
See more details on wiring on [RPS spec sheet](#).

● IMPORTANT SAFETY MEASURES

Power must be supplied by grounded Axis Remote Power Supply to ensure adequate EMI filtering. Remote power supply system must be ordered separately, and installed according to provided instructions. Please follow link for the [RPS spec sheet](#).

- This product must be installed in accordance with the applicable installation code by a person familiar with the construction and operation of the product and the hazards involved in an MRI environment.
- Disconnect power to all circuits before wiring fixture.
- Install in accordance with all national, state, and local codes.
- Remote power supply box **MUST** be grounded
- Failure to install unit on a mechanically-sound surface may result in personal injury, physical damage, or potential fire hazard
- Use installation procedures appropriate for an environment involving MRI and sensitive electronic equipment.
- Read all fixture markings and labels to ensure correct installation of fixture
- Supplemental instructions may be located on the fixture, in addition to the instruction sheet provided with the shop drawing, regarding orientation, or mounting restrictions.

● INSTALLATION INSTRUCTIONS

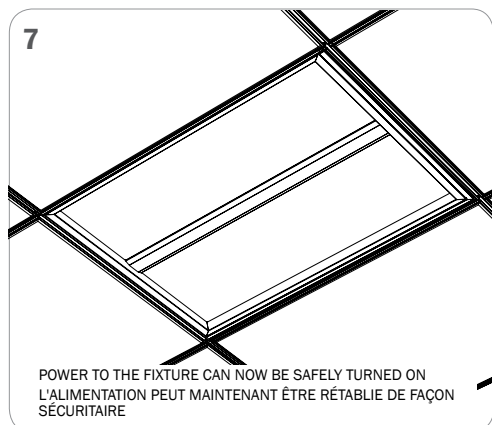


NOTE: REMOTE DRIVERS ARE IN A SEPARATE ROOM. THE CABLE IS 50' AND IS DIRECTLY WIRED TO THE BOX; DO NOT CUT CABLE TO SIZE.

NOTE : LES PILOTES À DISTANCE SE TROUVENT DANS UNE CHAMBRE SÉPARÉE. LE CÂBLE FAIT 50' ET EST DIRECTEMENT CÂBLÉ À LA BOÎTE; NE COUPEZ PAS LE CÂBLE À LA TAILLE VOULUE.

*SEE NEXT PAGE FOR FOLLOWING STEPS

*REST OF INSTALLATION PROCESS



*SEE NEXT PAGE FOR SPECIFIER ACKNOWLEDGMENT FORM

SPECIFIER ACKNOWLEDGMENT

Contractor acknowledges and understands the requirements of installing Axis Lighting products prior to the installation. **Please sign below before Axis Lighting releases your order.**

Signature: _____

Date: _____

Print Name: _____

Project Name: _____

Send the form to your Axis Lighting Project Manager

----- *SEE NEXT PAGE FOR MRI INSTALLATION REGISTRATION CHECKLIST

MRI INSTALLATION REGISTRATION CHECKLIST

Customer acknowledges that attached Installation Registration Checklist will be provided to the installer to sign and return to Axis Lighting after the installation is complete.

Please fill out this form and return to your Axis Lighting Project Manager.

The warranty for your MRI installation will not go into effect until receipt of this signed registration checklist.

I certify that the lighting installation for the listed MRI suite is completed per the provided installation instructions and to the best of my abilities.

Please check off to denote status:

Installation instruction sheet for Remote Power Supply is read and followed.

Remote Power supply is located outside the shielded MRI exam room and grounded.

All dimming signals wiring is located outside the shielded MRI room.

Lighting system fully tested (including dimming operation if applicable) while MRI machine is in idle mode.

Lighting system fully tested (including dimming operation, if applicable) while MRI machine is in scan operation mode with the magnets fully activated.

If any of those steps cannot be completed or you need technical assistance, please contact Axis Lighting After Sales: at aftersalesteam@axislighting.com

Electrical Contractor

Name: _____

Phone: _____

Installation date: _____

Installation site

Project Name: _____

City / State (Province) _____

Send the form to your Axis Lighting Project Manager

Axis Lighting Project Manager: _____

Date: _____