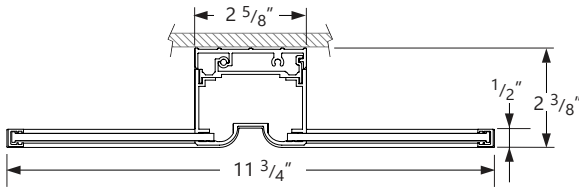




Vertical shown



Project _____

Type _____

Notes _____

- Tranquility sconces integrate nature-inspired graphics to bring a sense of calm, energy, or playfulness to any environment
- Extensive library of images to choose from
- White CCTs 2700K - 4000K or Tunable White 2700K - 5000K and 2700K - 6500K
- Amber nightlight option to aid navigation
- Detachable backplate for quick-disconnect and room-side access to driver
- Horizontal or vertical orientation, surface mounting in multiple lengths
- Shallow depth - 2 3/8" - exceeds ADA compliance
- UL Listed



*Patent pending

Ordering Guide

BCSOTQ				80						
PRODUCT ID	NOMINAL LENGTH	MOUNTING ORIENTATION		IMAGE *	CRI	COLOR TEMP.		FINISH		
BCSOTQ Sconce Open book Tranquility series	12 12"	H	horizontal	PLEASE CLICK HERE TO PROCEED TO IMAGE SELECTION CATALOGUE (INSERT CODE IN PLACE)	80	80 CRI	27 2700 K	AMW antimicrobial white	AMA antimicrobial aluminum paint	
	18 18"		V				vertical			30 3000 K
	24 24"				35 3500 K					
	36 36"				40 4000 K					
				+TQC(#) custom image*			TW2750 2700K-5000K Tunable White*			
							TW2765 2700K-6500K Tunable White*			
				* Provide your own image (must be 150 dpi at 100% image size). For multiple images specify as TQC(01), TQC(02)....etc.					* Consult factory for Tunable White. Consult Axitune technical sheet for more information on color technology.	
								* Consult factory for NSF.		

VOLTAGE	DRIVER	EMERGENCY (OPT.)	NIGHTLIGHT (OPT.)
120 120 V	DP dimming (0-10V) 1%	GTD(#) generator transfer device* +E(#) emergency section	NTLA amber nightlight
277 277 V	LT(#) Lutron (remote)*		
347 347 V*	BI bi-level dimming (remote)		
UNV universal	O(#) other (remote)**		
DC low voltage**	TW(#) Tunable white drivers (remote)* POE(#) POE drivers (remote)*		
* With remote driver only ** Only available with POE drivers	* See page 2 to specify system ** Please consult factory; see page 2.	* Consult factory. Remote.	Available only in vertical mounting position. When Nightlight is selected a 2nd circuit is standard

LV CONTROLLER (OPT.)	BATTERY (OPT.)
LVC1 low voltage controller (Mode 1)	B(#) battery pack
LVC2 low voltage controller (Mode 2)	
LVCD3 low voltage controller (Mode 3 step dim)	
LVCD4 low voltage controller (Mode 3 smooth dim)	
Controllers are remote only. Remote enclosure by others. SEE WIRING DIAGRAMS ON PAGE 3-4	Not available with 347V; Consult factory.

● CONSTRUCTION

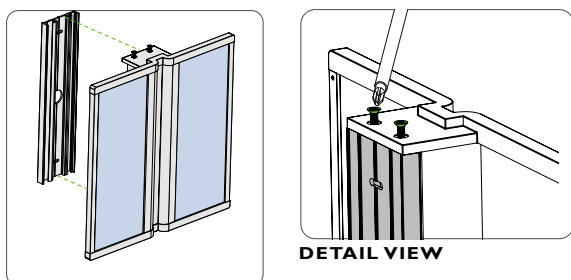
Housing	Extruded aluminum (0.075" nominal)
End Cap	Die cast aluminum (0.10" nominal)
Top Covers	Cold rolled sheet steel painted (24 gauge)
Smooth Lens	Uniform acrylic lens, lens, image printed on inside lens surface. which keeps it protected from cleaning solutions and scratches

i Specification sheets for wall mounted Sconce luminaires are available at: www.axislighting.com under 'Downloads' tab.

● LIGHT GUIDE

High precision light guide made of PMMA material, allows distribution of controlled light in all 3-dimensions to put light on both vertical and horizontal planes within the space. Patented lightguide design featuring molecular optics and precision-coupled optic components yield a high efficiency luminaire.

● MOUNTING DETAILS



i Installation sheets are available at: www.axislighting.com

● WEIGHT

12" 4.7 lbs / 2.1 kg

● APPROVALS

With product features that promote cleanability and durability, Axis Lighting meets functional and application-specific industry listings such as UL, and National Sanitation Foundation (NSF) standards.

● WARRANTY

Limited 5-year warranty is available. Warranty is valid provided luminaires are installed and used according to specifications. For full terms and conditions, please consult warranty section at axislighting.com.

● LED SYSTEM

CRI	Minimum 80 color rendering index options.
CCT Single Color	Choice of 2700K, 3000K, 3500K or 4000K color temperature with a great color consistency (within 3-step MacAdam ellipse). Both within fixture and fixture to fixture.
CCT Axitune Systems	Consult Axitune technical sheet for more information on color technology.
LED life	Minimum 50,000h with 85% of lumen maintenance in 25°C ambient temperature, in compliance with IES LM-80 testing measurements.
Thermal Management	Aluminum housing acting as the heat sink to maximize life.
Environment	For all line voltage drivers, dry and damp rated for indoor use only in operating ambient temperatures of -20° to +40°C (-4° to +104°F) Consult factory for temperature outside this range.

● ELECTRICAL

Lutron driver*	LDE1 - Hi-lume 1% EcoSystem with Soft-on, Fade-to-Black *Consult factory
Other drivers*	DALI - Digital Addressable Lighting Interface DMX - Digital Multiplex Xitanium SR - For wireless sensor
Tunable White TW drivers*	DALIT6 - DALI Type 6 (Two DALI Addresses) DALIT8 - DALI Type 8 (One DALI Address)
Power over Ethernet POE drivers*	MOLEX IGOR UL2108 certified for integral or remote driver SMARTENGINE O - Other (Consult factory)
Emergency Consult factory	Emergency battery pack or emergency circuit optional.
Input Voltage	120V, 277V, 347V, UNV

*Choose driver from available options.

EASY IMAGE SPECIFICATION STEPS

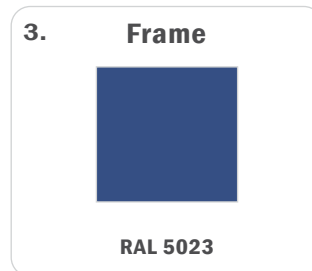
1. Select the luminaire.
3. Select pattern or image from our [portfolio](#), or provide your own image (must be 150 dpi at 100% image size).
4. Send us your layout and we will prepare a proof for your final approval.



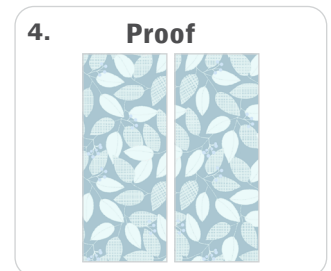
Select the luminaire, length and orientation.



Select pattern or image from our [portfolio](#), or customize by providing your own art or logo*
*Art must be 150 dpi at 100% image size



Provide an RAL # to customize frame color



We will prepare a proof for your final approval.

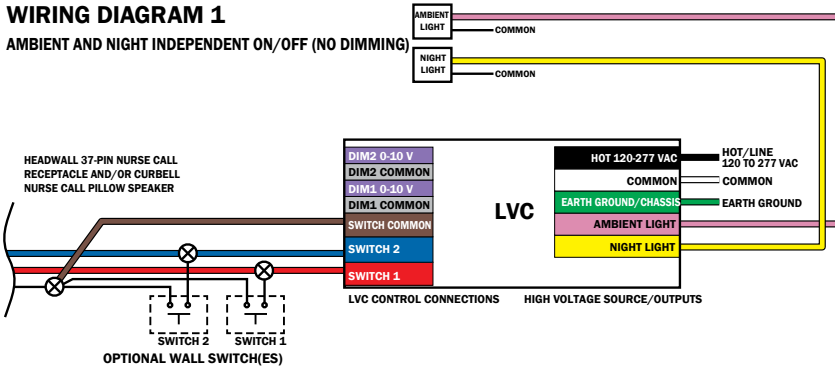
● LOW VOLTAGE CONTROLLERS - CONFIGURATIONS

		MODE #1 (DEFAULT)	MODE #2	MODE #3	
		Ambient Light and Night Light Independent (ON/OFF)	Ambient Light and Night Light Sequential	Ambient Light Dimming, Night Light Independent (ON/OFF)	
				Step Dimming (one direction)	Smooth Dimming (two direction)
Toggle Switch 1 (Pillow Speakers, wall switch) affects Ambient Light as follows:	First Toggle	Ambient ON	Ambient ON, Night Light OFF	Ambient ON, Full brightness	First toggle: Ambient ON, dim level set to Approx. 100% brightness Subsequent sustained presses: smooth dimming* Second toggle: Ambient OFF
	Second Toggle	Ambient OFF	Ambient OFF, Night Light ON	Ambient ON, Approx. 60% (4 VDC) brightness	
	Third Toggle	-	Ambient ON, Night Light ON	Ambient ON, Approx. 30% (1.37 VDC) brightness	
	Fourth Toggle	-	Ambient OFF, Night Light OFF	Ambient ON, Approx. 10% (0.8 VDC) brightness	
	Fifth Toggle	-	-	Ambient OFF	
Toggle Switch 2 (Pillow Speakers, wall switch) affects Night Light as follows:	First Toggle	Night Light ON	-	Night light ON	Night light ON
	Second Toggle	Night Light OFF	-	Night light OFF	Night light OFF
	Third Toggle	-	-	-	-
	Fourth Toggle	-	-	-	-
	Fifth Toggle	-	-	-	-

● LOW VOLTAGE CONTROLLERS WIRING DIAGRAMS

WIRING DIAGRAM 1

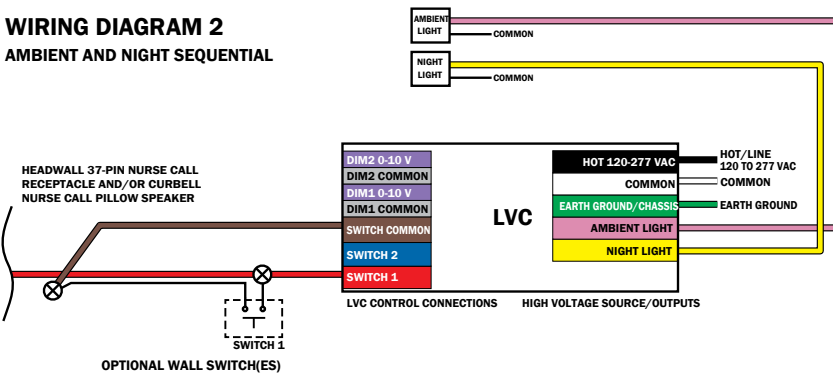
AMBIENT AND NIGHT INDEPENDENT ON/OFF (NO DIMMING)



1. LVC Mode 1 (independent ON/OFF no dimming) DEFAULT mode

WIRING DIAGRAM 2

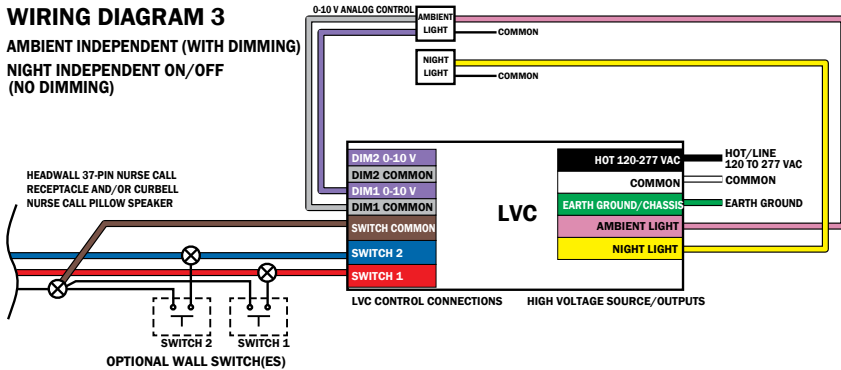
AMBIENT AND NIGHT SEQUENTIAL



2. LVC mode 2 (sequential ON/OFF no dimming)

WIRING DIAGRAM 3

AMBIENT INDEPENDENT (WITH DIMMING)
NIGHT INDEPENDENT ON/OFF (NO DIMMING)



- 3. LVCD Mode 3 step dimming (Ambient Light-dimming, Night Light ON/OFF)
- 4. LVCD Mode 3 smooth dimming (Ambient dimming, Night Light ON/OFF)