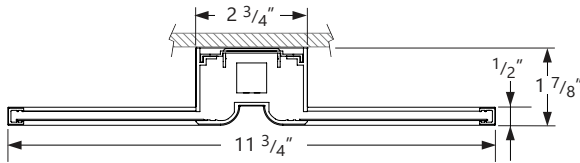


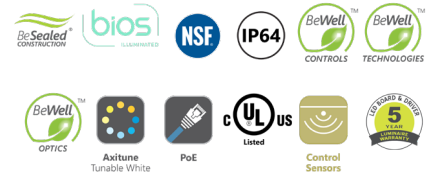
Vertical shown



Project _____
 Type _____
 Notes _____

- Designed with comfortable BeWell Optics providing ambient lighting and wall glow
- White CCTs 2700K - 4000K or Tunable White 2700K - 5000K
- Amber nightlight option to aid navigation
- Detachable backplate for quick-disconnect and room-side access to driver
- Horizontal or vertical orientation, surface mounting in multiple lengths
- Shallow depth - 1 7/8" - exceeds ADA compliance
- BIOS and tunable white available in select sizes
- UL Listed IP64 for both indoor and outdoor applications
- Number of circuits corresponds to number of functions; i.e., for ambient, one circuit is standard; if night light is selected, two circuits are standard (not selectable options)

*See performance chart on page 4.



Ordering Guide

*Patent pending

BCSO		NOMINAL LENGTH		MOUNTING ORIENTATION		CRI		COLOR TEMP.				FINISH	
BCSO	Sconce open book	12"	12"	H	horizontal	80	80 CRI	27	2700 K	AMW	antimicrobial white	AMA	antimicrobial aluminum paint
		18"	18" *	V	vertical	90	90 CRI*	30	3000 K				
		24"	24"					35	3500 K				
		36"	36"					40	4000 K				
								B30	3000 K - BIOS*				
						B35	3500 K - BIOS*						
						B40	4000 K - BIOS*						
						TW2750	2700-5000 K - Tunable White**						
		* Not available with BIOS and Tunable White.						* Consult BIOS guide for more information on BIOS technology. Only available with 80 CRI. Not available for 18" length				* Consult factory for NSF.	
								** Consult factory for Tunable White. Consult Axitune technical sheet for more information on color technology.					

VOLTAGE		DRIVER		EMERGENCY (OPT.)		NIGHTLIGHT (OPT.)	
120	120 V	DP	dimming (0-10V) 1%	GTD(#)	generator transfer device*	NTLA	amber nightlight
277	277 V	LT	Lutron (remote)	+E(#)	emergency section		
347	347 V*	BI	bi-level dimming (remote)				
UNV	universal	O(#)	other (remote)**				
DC	low voltage**	DPB(#)	dimming (0-10V) 1% with Bios*				
		TW(#)	tunable white drivers (remote)*				
		POE(#)	POE drivers (remote)*				
* With remote driver only ** Only available with POE drivers.		Consult factory for Tunable white. * See page 2 to specify system ** Please consult factory; see page 2.		* Consult factory. Remote.		Available only in vertical mounting position. When Nightlight is selected a 2nd circuit is standard	

LV CONTROLLER (OPT.)		BATTERY (OPT.)	
LVC1	low voltage controller (Mode 1)	B(#)	battery pack
LVC2	low voltage controller (Mode 2)		
LVCD3	low voltage controller (Mode 3 step dim)		
LVCD4	low voltage controller (Mode 3 smooth dim)		
Available with DP driver single CCT options only Controllers are remote only. Remote enclosure by others. SEE WIRING DIAGRAMS ON PAGE 3-4		Not available with 347V; Consult factory.	

● LIGHT GUIDE

High precision light guide made of PMMA material, allows distribution of controlled light in all 3-dimensions to put light on both vertical and horizontal planes within the space. Patented lightguide design featuring molecular optics and precision-coupled optic components yield a high efficiency luminaire.

● ELECTRICAL

Lutron driver (remote only)	LDE1 - Hi-lume 1% EcoSystem with Soft-on, Fade-to-Black *Consult factory
Other drivers** (remote only)	DALI - Digital Addressable Lighting Interface DMX - Digital Multiplex Xitanium SR - For wireless sensor
BIOS DPB drivers*	STC - BIOS control 0-10V with static spectrum and BIOS SkyBlue enabled from 100% to 1%. DCA - DynamicCare™ for Axis; BIOS control 0-10V with dynamic spectrum and BIOS SkyBlue with Bio-Dimming™, which changes spectral qualities by removing the SkyBlue component when dimming from 100% to 51%, while light output remains relatively constant; CCT will decrease approximately 500K through bio-dimming; dimming from 50% to 1% will then reduce light output.
Tunable White TW drivers* (remote only)	DALIDT6 - DALI Type 6 (Two DALI Addresses) DALIDT8 - DALI Type 8 (One DALI Address)
Power over Ethernet POE drivers* (remote, consult factory for more information)	MOLEX IGOR SMARTENGINE O - Other (Consult factory)
Emergency (remote only) Consult factory	Emergency battery pack or emergency circuit optional.
Input Voltage	120V, 277V, 347V (Remote driver only), UNV, DC.

*Choose driver from available options.

i Incorporating these components may have limitations or affect the length of the luminaire. Please contact factory for more details.

● OPTICS



BeWell™ Optics

Axis' BeWell™ light guide technology provides the visually comfortable distribution required in healthcare environments.

● WARRANTY

Limited 5-year warranty is available. Warranty is valid provided luminaires are installed and used according to specifications. For full terms and conditions, please consult warranty section at axislighting.com.

● LED SYSTEM

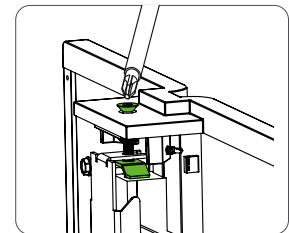
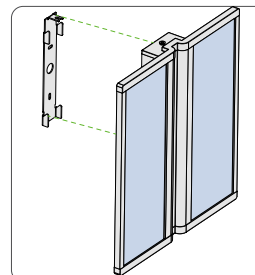
CRI	Minimum 80 or 90 color rendering index options.
CRI BIOS	Minimum 80 color rendering index with R9>75 for all CCTs.
CCT Single Color	Choice of 2700K, 3000K, 3500K and 4000K color temperature with a great color consistency (within 3–step MacAdam ellipse). Both within fixture and fixture to fixture.
CCT BIOS	BIOS Static (STC) Choice of 3000K, 3500K and 4000K. BIOS SkyBlue® DynamicCare™ for Axis (DCA) Choice of 3000K, 3500K, and 4000K with Bio-Dimming™ which then reduces by 500K. Consult BIOS guide for more information on BIOS technology.
CCT Axitune Systems	Consult Axitune technical sheet for more information on color technology.
LED life	Minimum 50,000h with 85% of lumen maintenance in 25°C ambient temperature, in compliance with IES LM-80 testing measurements.
Thermal Management	Aluminum housing acting as the heat sink to maximize life.
Environment	For all line voltage drivers, dry and damp rated for indoor use only in ambient operating temperature of -20° to +40°C (-4° to +104°F) For POE driver option, , dry and damp rated for indoor use only in ambient operating temperature of 0° to +40°C (+32° to +104°F) Consult factory for temperature outside this range.

● CONSTRUCTION

Housing	Extruded aluminum (0.075" nominal)
End Cap	Die cast aluminum (0.10" nominal)
Top Covers	Cold rolled sheet steel painted (24 gauge)
Smooth Lens	Uniform acrylic lens

i Specification sheets for wall mounted Sconce luminaires are available at: www.axislighting.com under 'Downloads' tab.

● MOUNTING DETAILS



DETAIL VIEW

i Installation sheets are available at: www.axislighting.com

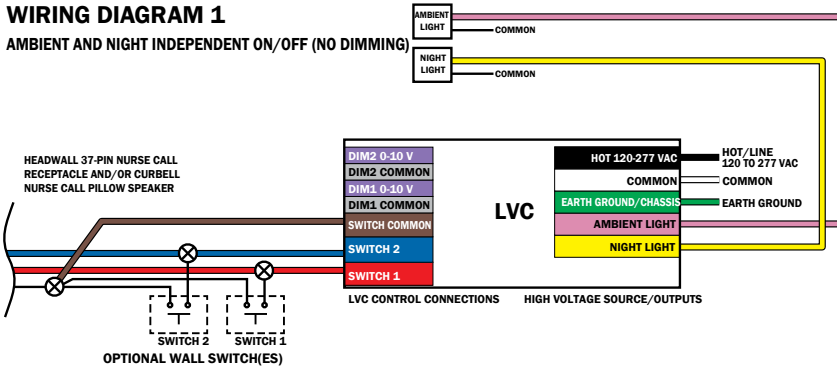
● LOW VOLTAGE CONTROLLERS - CONFIGURATIONS

		MODE #1 (DEFAULT)	MODE #2	MODE #3	
		Ambient Light and Night Light Independent (ON/OFF)	Ambient Light and Night Light Sequential	Ambient Light Dimming, Night Light Independent (ON/OFF)	
				Step Dimming (one direction)	Smooth Dimming (two direction)
Toggle Switch 1 (Pillow Speakers, wall switch) affects Ambient Light as follows:	First Toggle	Ambient ON	Ambient ON, Night Light OFF	Ambient ON, Full brightness	First toggle: Ambient ON, dim level set to Approx. 100% brightness Subsequent sustained presses: smooth dimming* Second toggle: Ambient OFF
	Second Toggle	Ambient OFF	Ambient OFF, Night Light ON	Ambient ON, Approx. 60% (4 VDC) brightness	
	Third Toggle	-	Ambient ON, Night Light ON	Ambient ON, Approx. 30% (1.37 VDC) brightness	
	Fourth Toggle	-	Ambient OFF, Night Light OFF	Ambient ON, Approx. 10% (0.8 VDC) brightness	
	Fifth Toggle	-	-	Ambient OFF	
Toggle Switch 2 (Pillow Speakers, wall switch) affects Night Light as follows:	First Toggle	Night Light ON	-	Night light ON	Night light ON
	Second Toggle	Night Light OFF	-	Night light OFF	Night light OFF
	Third Toggle	-	-	-	-
	Fourth Toggle	-	-	-	-
	Fifth Toggle	-	-	-	-

● LOW VOLTAGE CONTROLLERS WIRING DIAGRAMS

WIRING DIAGRAM 1

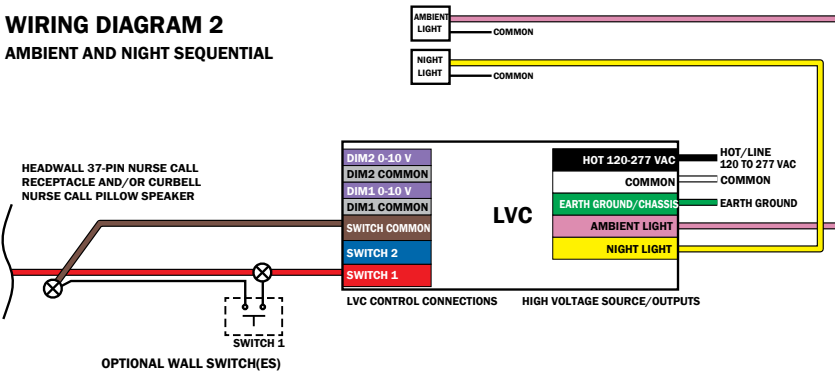
AMBIENT AND NIGHT INDEPENDENT ON/OFF (NO DIMMING)



1. LVC Mode 1 (independent ON/OFF no dimming) DEFAULT mode

WIRING DIAGRAM 2

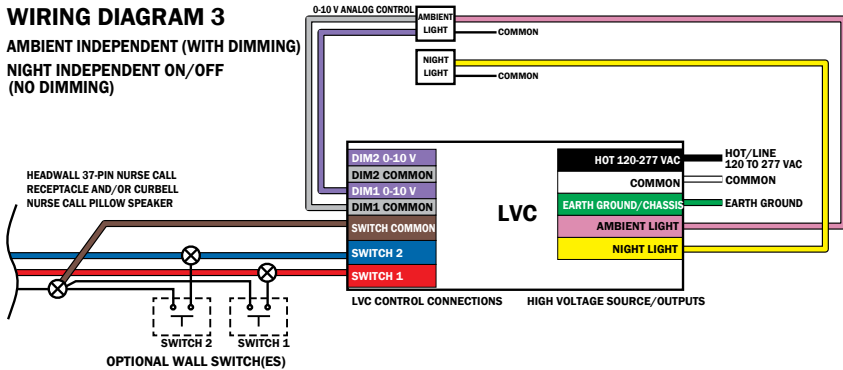
AMBIENT AND NIGHT SEQUENTIAL



2. LVC mode 2 (sequential ON/OFF no dimming)

WIRING DIAGRAM 3

AMBIENT INDEPENDENT (WITH DIMMING)
NIGHT INDEPENDENT ON/OFF (NO DIMMING)



3. LVCD Mode 3 step dimming (Ambient Light-dimming, Night Light ON/OFF)
4. LVCD Mode 3 smooth dimming (Ambient dimming, Night Light ON/OFF)

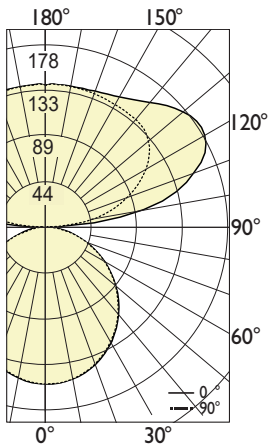
PERFORMANCE AT 3500K

NOMINAL LUMEN OUTPUT	INPUT WATTS*	EFFICACY
1105 lm	12.15 W	91 lm/W

* Based on a luminaire using one driver
Please consult factory for custom lumen output and wattage.

● PHOTOMETRIC DATA

PHOTOMETRIC CURVE



Luminaire Lumens: 1105 lm
Input Watts: 12.15 W
Efficacy: 91 lm/W

IES FILE: BCSO-500-80-35-FL-12x10-V-UNV-D-1.ies

TESTED ACCORDING TO IES LM-79-2008

CANDELA DISTRIBUTION

Vertical Angle	Horizontal Angles				
	0	22.5	45	67.5	90
0	151	151	151	151	151
5	151	150	151	150	151
15	145	146	145	145	145
25	134	135	134	134	134
35	119	119	119	118	117
45	99	99	99	98	98
55	77	77	77	77	76
65	53	54	53	53	53
75	29	29	29	29	29
85	11	11	11	9	8
90	8	8	6	4	1
95	47	39	27	23	24
105	130	110	74	64	67
115	169	146	107	95	98
125	177	159	130	120	122
135	165	155	139	133	133
145	149	145	138	135	135
155	141	140	137	136	136
165	138	138	137	137	137
175	137	137	137	137	137
180	136	136	136	136	136

ZONAL LUMENS

Zone	Lumens
0	
0-10	14
10-20	41
20-30	61
30-40	73
40-50	75
50-60	67
60-70	51
70-80	29
80-90	11
90-100	37
100-110	91
110-120	118
120-130	124
130-140	110
140-150	87
150-160	63
160-170	39
170-180	13
180	

LUMINANCE DATA (cd/m²)

Vertical Angle	Horizontal Angles		
	0	45	90
45	1691	1693	1674
55	1620	1621	1607
65	1510	1524	1512
75	1339	1370	1361
85	1495	1470	1094

i All IES files are available for download at: www.axislighting.com