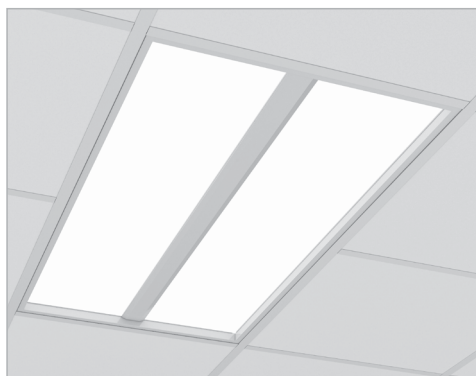


Flexible Ambient 2x4 | Recessed



Project _____

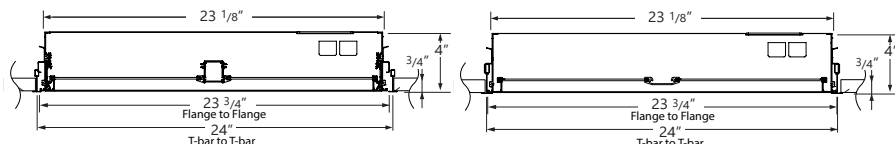
Type _____

Notes _____

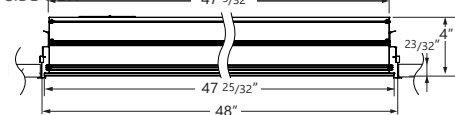
- Recessed ambient provides soft, even illumination
- Available in general diffuse and wide distributions
- Modular optical chamber with room-side access
- Low profile design, housing only 4" deep
- Controls and sensor ready
- Other sizes available: 1x1, 1x4, and 2x2

SECTION VIEW LIT CENTER SHOWN

SECTION VIEW SOLID CENTER SHOWN



SIDE VIEW



*See performance chart on page 7.

*Patent pending

Ordering Guide

BCFA	24	NOMINAL LUMENS		CRI	COLOR TEMP. (choose one)		DISTRIBUTION
PRODUCT ID	SIZE						
BCFA Flexible Ambient Recessed	24 2'X4'	4000	4000 lm - Minimum	80	30	3000 K	GD general diffuse
		7100	7100 lm - Maximum	90	35	3500 K	WD wide
					40	4000 K	
					B30	3000 K - BIOS*	
					B35	3500 K - BIOS*	
					B40	4000 K - BIOS*	
		Outputs between listed min and max are available. Consult factory for outputs outside of the listed range. Consult factory for max output with BIOS.		* Not available with BIOS	Consult Axitone technical sheet for more information on color technology. *Consult BIOS guide for more information on BIOS technology. Only available with 80 CRI.		

CENTER OPTICS (see page 2 for all options)	FINISH	VOLTAGE	DRIVER
SO(lumen) spotless lens	AMW antimicrobial white*	120 120 V	DP dimming (0-10V) 1%
MLWB(lumen) micro louver wide- black	W white	277 277 V	LT Lutron
MLNB(lumen) micro louver narrow - black	C custom**	347 347 V	BI bi-level dimming
MLWG(lumen) micro louver wide - grey		UNV universal	O(#) other**
MLNG(lumen) micro louver narrow - grey		DC low voltage*	DPB(#) dimming (0-10V) 1% with BIOS*
MKL(Module Qty., Beam Angles, Cell Finish) Mikrolite			TW(#) tunable white drivers*
AC(QTY., Beam, Finish) Accent			POE(#) POE drivers*
BL Blank (non-illuminated center strip)**			

!! Refer to page 2 for specific ordering code choices and examples.
** BL - IP64 rated. Other center options are not IP64 rated.

* Standard finish **Consult factory for NSF. * Only available with POE drivers. * See page 4 to specify system ** Please consult factory; see page 4

CIRCUITS	LV CONTROLLER (OPT.)	MOUNTING	BATTERY (OPT.)
1 1 circuit	LVC1 low voltage controller (Mode 1)	TB9 t-bar 9/16"	B(#) battery pack
2 2 circuits	LVC2 low voltage controller (Mode 2)	TB15 t-bar 15/16"	
+E(#) emergency section *	LVC3 low voltage controller (Mode 3 step dim)	TG9 tegular 9/16"	
+GTD(#) generator transfer device*	LVC4 low voltage controller (Mode 3 smooth dim)	TG15 tegular 15/16"	
	LVC5 low voltage controller (Mode 4 step dim)	DF drywall flange	
	LVC6 low voltage controller (Mode 4 smooth dim)		
* Specify quantity	Available with DP driver single CCT options only Not available with 347V Please consult factory For compatibility with control devices, such as pillow speaker handset. See wiring diagrams on page 6-7.		Not available with 347V Please consult factory

Accessories ordered separately. See Accessories ordering guide.

Optical chamber available to order separately. See page 3.

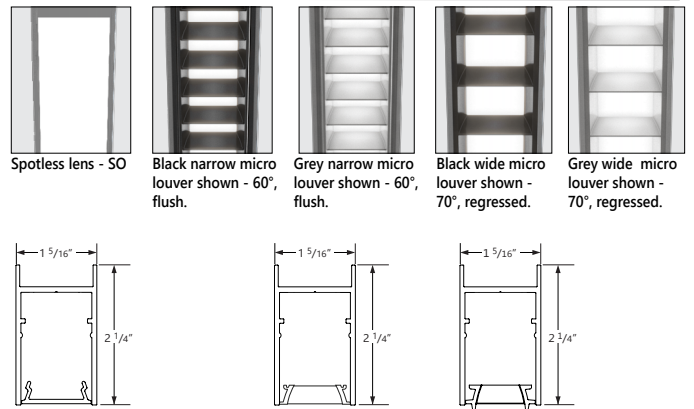
Center Optics Ordering Guide (transfer ordering code to page 1-C0 column)

SHIELDING & NOM. LUMENS/FT - DIRECT				
SO(lumen)	spotless lens	200	200 lm/ft	SO lens option only
		300	300 lm/ft	
		400	400 lm/ft	
MLWB(lumen)	micro louver wide- black*	200	200 lm/ft	micro louver option only
MLNB(lumen)	micro louver narrow - black*	300	300 lm/ft	
MLWG(lumen)	micro louver wide - grey*	450	450 lm/ft	
MLNG(lumen)	micro louver narrow - grey*	600	600 lm/ft	

* Micro louver recommended at outputs over 500 lm/ft. Please consult factory for more information.

EX.: SO(300) to be placed in Central Optics column

SO or MICRO LOUVER OPTIONS



Spotless Lens - SO

Micro Louver - Wide

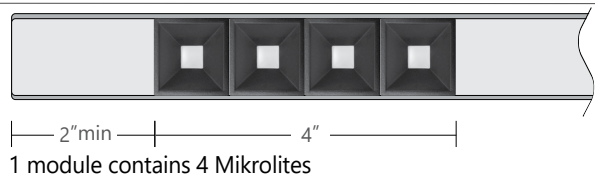
Micro Louver - Narrow

MIKROLITE - MKL(#, Beam Angles, Cell Finish)			
MIKROLITE MODULE QTY		BEAM ANGLE	CELL FINISH
MKL(#)	MikroLite module	MKL35 35 deg MKL20 20 deg	GR gray BLK black

1 module contains 4 Mikrolites; Module length is 4". Minimum distance from edge 2". 500 lm/module

EX.: MKL (2, MKL35, GR) to be placed in Central Optics column

CENTER OPTICS WITH MIKROLITE 1.0

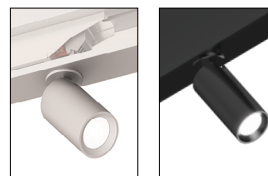


ACCENT - AC(#, Beam, Finish)			
ACCENT QUANTITY		BEAM	ACCENT FINISH
AC(#)	accent quantity	AC20 20 deg AC35 35 deg	AP aluminum paint W white BLK black

Only available in 500 lumens, 3000 K, 80 CRI with 0-10V dimming (1%). Minimum spacing between Accents is 4". Accent provided only on blank section by default (min length 2").

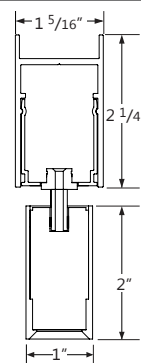
EX.: AC(2, AC20, AP) to be placed in Central Optics column

ACCENT OPTIONS



Accent on segment shown

CENTER OPTICS WITH ACCENT SECTION VIEW




Accent in blank

Flexible Ambient 2x4 | Recessed

Modular optical chamber is available as optional shelf stock for easy maintenance change-out; ordered separately.

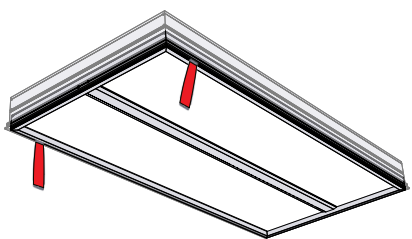
Optical Chamber Ordering Guide

BCFAOC		24		NOMINAL LUMENS		CRI		COLOR TEMP. (choose one)		DISTRIBUTION			
PRODUCT ID		SIZE											
BCFAOC	Flexible Ambient Recessed Optical Chamber	24	2'X4'	4000	4000 lm - Minimum	80	80 CRI	30	3000 K	TW2750	2700-5000 K - Tunable White	GD	general diffuse
				7100	7100 lm - Maximum	90	90 CRI*	35	3500 K				
								40	4000 K				
								B30	3000 K - BIOS*				
								B35	3500 K - BIOS*				
								B40	4000 K - BIOS*				
				Outputs between listed min and max are available. Consult factory for outputs outside of the listed range. Consult factory for max output with BIOS.		* Not available with BIOS		Consult Axitune technical sheet for more information on color technology. *Consult BIOS guide for more information on BIOS technology. Only available with 80 CRI.					

CENTER OPTICS (see page 2 for all options) 		FINISH	
SO(lumen)	spotless lens	AMW	antimicrobial white*
MLWB(lumen)	micro louver wide- black	W	white
MLNB(lumen)	micro louver narrow - black		
MLWG(lumen)	micro louver wide - grey		
MLNG(lumen)	micro louver narrow - grey	C	custom**
MKL(Module Qty., Beam Angles, Cell Finish)	Mikrolite		
AC(QTY., Beam, Finish)	Accent		
BL	Blank (non-illuminated center strip)**		
!! Refer to page 2 for specific ordering code choices and examples.		* Standard finish	
** BL - IP64 rated. Other center options are not IP64 rated.		**Consult factory for NSF.	

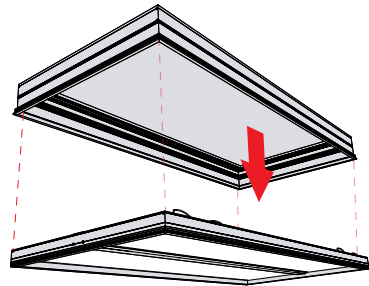
Optical Chamber Replacement

1




PRY WITH PROVIDED LENS TOOL
FOUR CORNERS
LEVIER AVEC OUTILE FOURNIS AUX
QUATRE COINS

2 REPLACE OPTICAL CHAMBER
REEMPLACER LA CHAMBRE OPTIQUE



DISCONNECT WIRES FROM DRIVER
DÉBRANCHEZ LES FILS DU PILOTE

Use part # BCLTL to order lens tool as an accessory. See Accessories ordering guide. 

Flexible Ambient 2x4 | Recessed

● SPECIFICATIONS

Housing	Extruded aluminum (0.065" nominal)
Central Housing	Extruded aluminum (0.065" nominal)
Center Lens	Spotless PMMA lens (optional)
Side Lens	4mm PMMA light guides
Reflectors	Specular aluminum
Drywall Flange Kit	Extruded aluminum (0.060" nominal)

● ELECTRICAL

Lutron driver*	LDE1 - Hi-lume 1% EcoSystem with Soft-on, Fade-to-Black *Consult factory
Other drivers**	DALI - Digital Addressable Lighting Interface DMX - Digital Multiplex Xitanium SR - For wireless sensor
BIOS DPB drivers*	STC - BIOS control 0-10V with static spectrum and BIOS SkyBlue enabled from 100% to 1%. DCA - DynamicCare™ for Axis; BIOS control 0-10V with dynamic spectrum and BIOS SkyBlue® with Bio-Dimming™, which changes spectral qualities by removing the SkyBlue component when dimming from 100% to 51%, while light output remains relatively constant; CCT will decrease approximately 500K through bio-dimming; dimming from 50% to 1% will then reduce light output.
Tunable White TW drivers*	DALIDT6 - DALI Type 6 (Two DALI Addresses) DALIDT8 - DALI Type 8 (One DALI Address)
Power over Ethernet POE drivers*	MOLEX IGOR UL2108 certified for integral or remote driver SMARTENGINE O - Other (Consult factory)
Emergency	Integral emergency battery pack or emergency circuit optional.
Input Voltage	120V, 277V, 347V, UNV, DC.
Flex Whip	Shipped in a separate box for contractors to install

*Choose driver from available options.

i Incorporating these components may have limitations or affect the length of the luminaire. Please contact factory for more details.

● FINISH

Highly reflective, matte powder coat white paint for high efficiency. Matte texture to diffuse glare and lamp image on the surface within the optical chamber exterior. Custom finishes are also available.

● LED SYSTEM

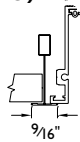
CRI	Minimum 80 or 90 color rendering index options.
CRI BIOS	Minimum 80 color rendering index with R9>75 for all CCTs.
CCT Single Color	Choice of 3000K, 3500K and 4000K color temperature with a great color consistency (within 3-step MacAdam ellipse). Both within fixture and fixture to fixture.
CCT BIOS	BIOS Static (STC) Choice of 3000K, 3500K and 4000K. BIOS SkyBlue® DynamicCare™ for Axis (DCA); Choice of 3000K, 3500K, and 4000K with Bio-Dimming™, which then reduces by 500K. Consult BIOS guide for more information on BIOS technology.
CCT Axitune Systems	Consult Axitune technical sheet for more information on color technology
LED life	Minimum 50,000h with 85% of lumen maintenance in 25°C ambient temperature, in compliance with IES LM-80 testing measurements.
Thermal Management	Aluminum housing acting as the heat sink to maximize life.
Environment	For all line voltage drivers, dry and damp rated for ambient operating temperature of -20° to +40°C (-4° to +104°F) For POE driver option, dry and damp rated for ambient operating temperature of 0° to +40°C (+32° to +104°F) Consult factory for temperature outside this range.

Flexible Ambient 2x4 | Recessed

● CEILING SYSTEM

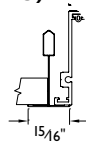
T-BAR STYLE MOUNTING

(TB9)



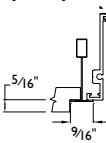
9/16" T-BAR

(TB15)



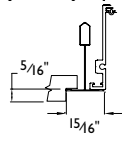
15/16" T-BAR

(TG9)



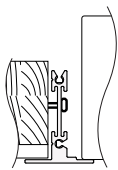
9/16" TEGULAR

(TG15)

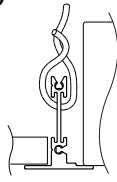


15/16" TEGULAR

DRYWALL WITH FLANGE KIT (DF)

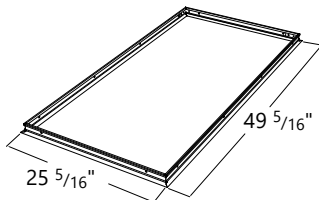


WITH WOOD FRAME



WITHOUT WOOD FRAME

DRYWALL MOUNTING KIT



FIXTURE DIMENSIONS

47 13/16" x 23 13/16"

CUT HOLE DIMENSIONS

48 9/16" / 24 9/16"

● APPROVALS

With product features that promote cleanability and durability, Axis Lighting meets functional and application-specific industry listings such as UL, Ingress Protection (IP) and National Sanitation Foundation (NSF) standards.

● WEIGHT

Standard	38 lbs / 17.2 kg
Drywall with Kit	40 lbs / 18.2 kg

● WARRANTY

Axis Lighting will warrant defective LEDs, boards, and drivers for 5 years from date of purchase. Warranty is valid if luminaire is installed and used according to specifications.

If defective, Axis Lighting will send replacement boards or drivers at no cost along with detailed replacement instructions and instructions on how to return defective components to Axis.

● STANDARD AND END MOUNT POWER FEED

Knockouts for BX cable connection are provided.

(BX CABLE BY OTHER)



TOP VIEW

i Installation sheets for all mounting options are available at: www.axislighting.com

Flexible Ambient 2x4 | Recessed

● LOW VOLTAGE CONTROLLERS - CONFIGURATIONS

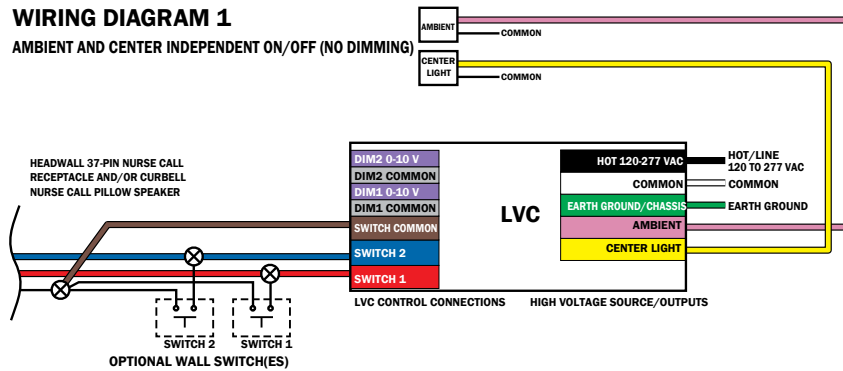
		MODE #1 (DEFAULT)	MODE #2	MODE #3		MODE #4	
		Ambient Light and Center Light Independent (ON/OFF) LVC1 Option	Ambient Light and Center Light Sequential LVC2 Option	Ambient Light Dimming, Center Light Independent (ON/OFF)		Ambient Light and Center Light Dimming	
				Step Dimming (one direction) LVCD3 Option	Smooth Dimming (two direction) LVCD4 Option	Step Dimming (one direction) LVCD5 Option	Smooth Dimming (two direction) LVCD6 Option
Toggle Switch 1 (Pillow Speakers, wall switch) affects Ambient as follows:	First Toggle	Ambient ON	Ambient ON, Center OFF	Ambient ON, Full brightness	"First toggle: Ambient ON, dim level set to Approx. 100% brightness Subsequent sustained presses: smooth dimming* Second toggle: Ambient OFF"	Ambient ON, Full brightness dimming	"First toggle: Ambient ON, dim level set to Approx. 100% brightness Subsequent sustained presses: smooth dimming* Second toggle: Ambient OFF"
	Second Toggle	Ambient OFF	Ambient OFF, Center ON	Ambient ON, Approx. 60% (4 VDC) brightens		Ambient ON, Approx. 60% (4 VDC) brightens	
	Third Toggle	-	Ambient ON, Center ON	Ambient ON, Approx. 30% (1.37 VDC) brightens		Ambient ON, Approx. 30% (1.37 VDC) brightens	
	Fourth Toggle	-	Ambient OFF, Center OFF	Ambient ON, Approx. 10% (0.8 VDC) brightens		Ambient ON, Approx. 10% (0.8 VDC) brightness	
	Fifth Toggle	-	-	-		Ambient OFF	
Toggle Switch 2 (Pillow Speakers, wall switch) affects Center as follows:	First Toggle	Center ON	-	Center ON	Center ON	Center ON, Full brightness	"First toggle: Center ON, dim level set to Approx. 100% brightness Subsequent sustained presses: smooth dimming* Second toggle: Center OFF"
	Second Toggle	Center OFF	-	Center OFF	Center OFF	Center ON, Approx. 60% (4 VDC) brightness	
	Third Toggle	-	-	-	-	Center ON, Approx. 30% (1.37 VDC) brightens	
	Fourth Toggle	-	-	-	-	Center ON, Approx. 10% (0.8 VDC) brightens	
	Fifth Toggle	-	-	-	-	Center OFF	

Flexible Ambient 2x4 | Recessed

● LOW VOLTAGE CONTROLLERS WIRING DIAGRAMS

WIRING DIAGRAM 1

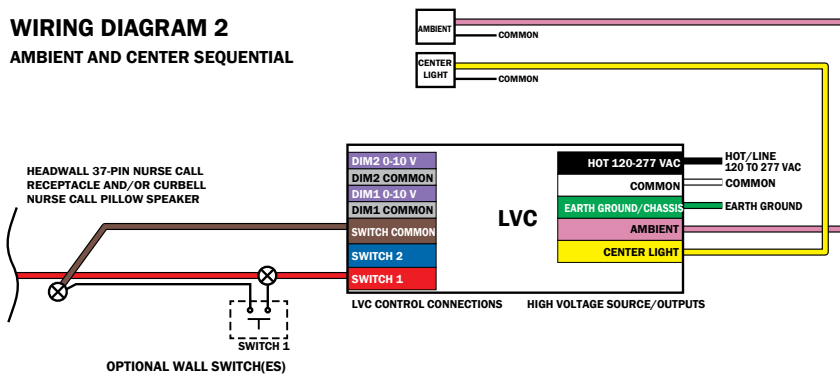
AMBIENT AND CENTER INDEPENDENT ON/OFF (NO DIMMING)



1. LVC Mode 1 - Ambient Light and Center Light, Independent ON/OFF, no dimming (DEFAULT mode)

WIRING DIAGRAM 2

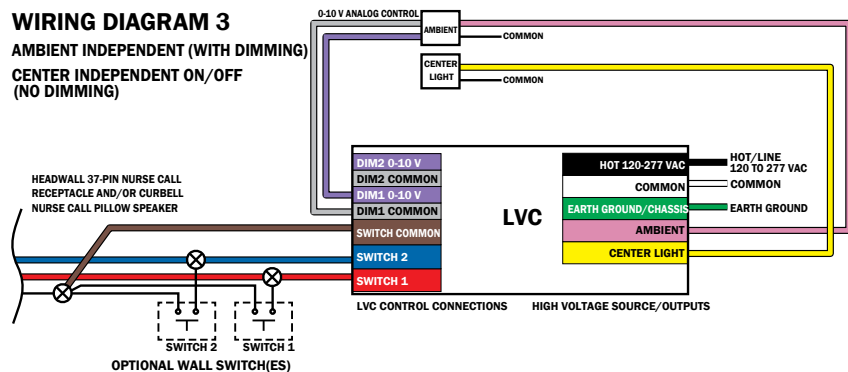
AMBIENT AND CENTER SEQUENTIAL



2. LVC Mode 2 - Ambient Light and Center Light, Sequential ON/OFF, no dimming

WIRING DIAGRAM 3

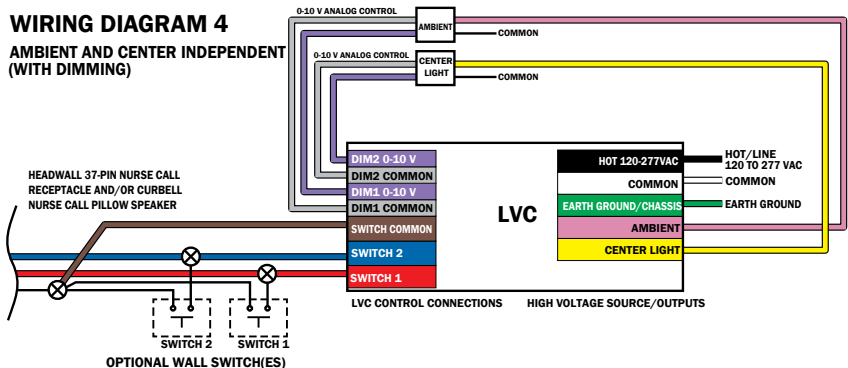
AMBIENT INDEPENDENT (WITH DIMMING)
CENTER INDEPENDENT ON/OFF (NO DIMMING)



3. LVCD Mode 3 - Step dimming (Ambient dimming, Center ON/OFF)
4. LVCD Mode 3 - Smooth dimming (Ambient dimming, Center ON/OFF)

WIRING DIAGRAM 4

AMBIENT AND CENTER INDEPENDENT (WITH DIMMING)



5. LVCD Mode 4 - Step dimming (Ambient and Center dimming)
6. LVCD Mode 4 - Smooth dimming (Ambient and Center dimming)

Flexible Ambient 2x4 | Recessed

PERFORMANCE AT 3500K

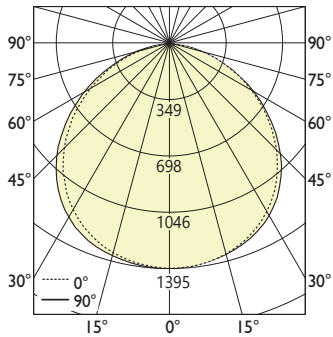
DISTRIBUTION	LUMEN OUTPUT	INPUT WATTS*	EFFICACY	Estd. L85 LED Life (hrs.)
GENERAL DISTRIBUTION	7100 lm	66.3 W	107 lm/W	50000, min
WIDE	7100 lm	70.2 W	101 lm/W	50000, min

Please consult factory for custom lumen output and wattage.

● PHOTOMETRIC DATA

PHOTOMETRIC CURVE

General distribution



Luminaire Lumens: 4000 lm

Input Watts: 37.3 W

Efficacy: 107 lm/W

IES FILE: BCFA-24-4000-GD-80-35-W-120-D.ies

TESTED ACCORDING TO IES LM-79-2008

CANDELA DISTRIBUTION

Vertical Angle	Horizontal Angles				
	0	22.5	45	67.5	90
0	1395	1395	1395	1395	1395
5	1390	1389	1389	1388	1387
15	1350	1347	1349	1353	1354
25	1266	1262	1271	1281	1286
35	1128	1124	1137	1153	1162
45	939	933	946	964	972
55	712	705	714	727	734
65	473	464	469	474	479
75	245	237	237	236	238
85	63	58	54	49	48
90	2	2	2	2	2

ZONAL LUMENS

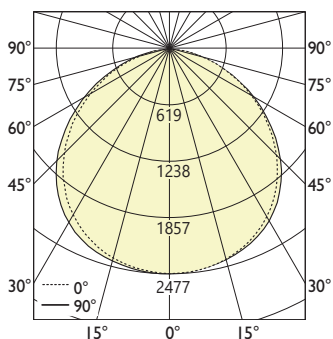
Zone	Lumens
0	
0-10	132
10-20	382
20-30	588
30-40	716
40-50	736
50-60	646
60-70	472
70-80	259
80-90	69
90	

LUMINANCE DATA (cd/m²)

Vertical Angle	Horizontal Angles		
	0	45	90
45	2027	2044	2100
55	1897	1902	1954
65	1710	1693	1731
75	1445	1400	1404
85	1104	951	843

PHOTOMETRIC CURVE

General distribution



Luminaire Lumens: 7100 lm

Input Watts: 66.3 W

Efficacy: 107 lm/W

IES FILE: BCFA-24-4000-GD-80-35-W-120-D.ies

TESTED ACCORDING TO IES LM-79-2008

CANDELA DISTRIBUTION

Vertical Angle	Horizontal Angles				
	0	22.5	45	67.5	90
0	2476	2476	2476	2476	2476
5	2468	2466	2465	2464	2462
15	2396	2391	2395	2401	2403
25	2247	2241	2255	2274	2283
35	2003	1996	2019	2047	2063
45	1666	1656	1680	1710	1726
55	1264	1251	1268	1290	1302
65	840	824	832	842	850
75	435	421	421	420	422
85	112	103	96	87	85
90	4	3	3	3	3

ZONAL LUMENS

Zone	Lumens
0	
0-10	235
10-20	679
20-30	1044
30-40	1270
40-50	1306
50-60	1146
60-70	838
70-80	460
80-90	123
90	

LUMINANCE DATA (cd/m²)

Vertical Angle	Horizontal Angles		
	0	45	90
45	3598	3629	3728
55	3366	3376	3468
65	3035	3005	3073
75	2565	2484	2492
85	1960	1688	1496

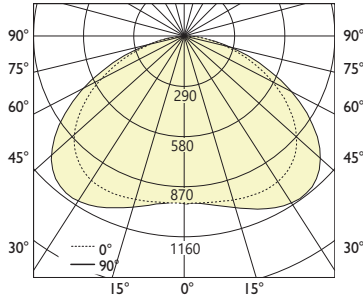
i All IES files are available for download at: www.axislighting.com

Flexible Ambient 2x4 | Recessed

PHOTOMETRIC DATA

PHOTOMETRIC CURVE

Wide distribution



Luminaire Lumens: 4000 lm
Input Watts: 39.6 W
Efficacy: 101 lm/W

IES FILE: BCFA-24-WD-80-35-W-120-D.ies

TESTED ACCORDING TO IES LM-79-2008

CANDELA DISTRIBUTION

Vertical Angle	Horizontal Angles				
	0	22.5	45	67.5	90
0	981	981	981	981	981
5	979	980	982	984	983
15	995	1001	1016	1032	1037
25	1012	1026	1060	1098	1114
35	998	1019	1073	1132	1160
45	914	936	998	1068	1104
55	740	757	810	872	907
65	504	513	548	588	611
75	261	264	278	294	305
85	66	63	63	61	62
90	2	2	2	2	3

ZONAL LUMENS

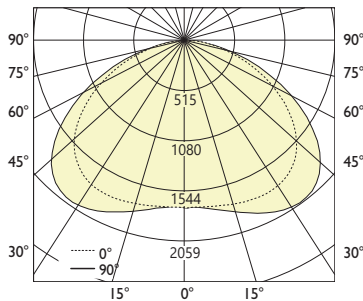
Zone	Lumens
0	
0-10	95
10-20	290
20-30	494
30-40	677
40-50	778
50-60	734
60-70	552
70-80	302
80-90	78
90	

LUMINANCE DATA (cd/m²)

Vertical Angle	Horizontal Angles		
	0	45	90
45	1974	2155	2385
55	1969	2157	2415
65	1820	1980	2210
75	1541	1643	1799
85	1148	1111	1078

PHOTOMETRIC CURVE

Wide distribution



Luminaire Lumens: 7100 lm
Input Watts: 70.2 W
Efficacy: 101 lm/W

IES FILE: BCFA-24-7100-WD-80-35-W-120-D.ies

TESTED ACCORDING TO IES LM-79-2008

CANDELA DISTRIBUTION

Vertical Angle	Horizontal Angles				
	0	22.5	45	67.5	90
0	1742	1742	1742	1742	1742
5	1737	1740	1742	1746	1744
15	1766	1777	1803	1831	1840
25	1796	1821	1882	1949	1978
35	1771	1808	1904	2009	2059
45	1622	1661	1771	1895	1960
55	1313	1343	1438	1549	1610
65	894	910	972	1043	1085
75	464	468	494	522	541
85	116	113	113	109	109
90	3	3	3	4	5

ZONAL LUMENS

Zone	Lumens
0	
0-10	168
10-20	515
20-30	877
30-40	1202
40-50	1380
50-60	1303
60-70	980
70-80	536
80-90	139
90	

LUMINANCE DATA (cd/m²)

Vertical Angle	Horizontal Angles		
	0	45	90
45	3503	3825	4234
55	3495	3829	4286
65	3230	3514	3922
75	2735	2917	3192
85	2038	1972	1913

i All IES files are available for download at: www.axislighting.com