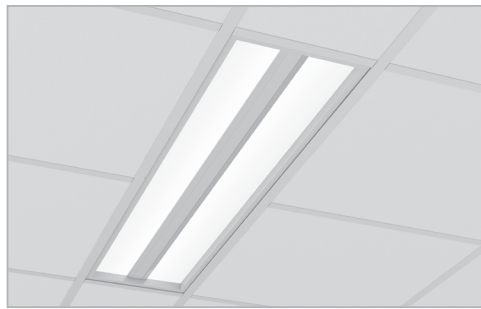


Flexible Ambient 1x4 | Recessed

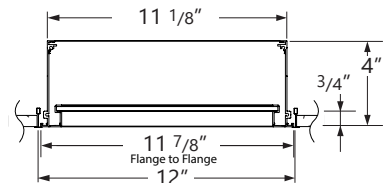


Project _____

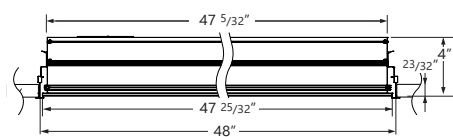
Type _____

Notes _____

SECTION VIEW



SIDE VIEW



- Recessed ambient provides soft, even illumination
- Available in general diffuse and wide distributions
- Modular optical chamber with room-side access
- Low profile design, housing only 4" deep
- Controls and sensor ready
- Other sizes available: 1x1, 2x2 and 2x4

*See performance chart on page 7.

Ordering Guide



*Patent pending

BCFA	14	NOMINAL LUMENS (ambient section)		CRI	COLOR TEMP. (choose one)		DISTRIBUTION			
PRODUCT ID	SIZE									
BCFA Flexible Ambient Recessed	14 1'X4'	2300	2300 lm - Minimum	80	30	3000 K	TW2750	2700-5000 K - Tunable White	GD	general diffuse
		4300	4300 lm - Maximum	90	35	3500 K			WD	wide
					40	4000 K				
					B30	3000 K - BIOS*				
					B35	3500 K - BIOS*				
					B40	4000 K - BIOS*				
		Outputs between listed min and max are available. Consult factory for outputs outside of the listed range. Consult factory for max output with BIOS.		* Not available with BIOS	Consult Axitone technical sheet for more information on color technology. *Consult BIOS guide for more information on BIOS technology. Only available with 80 CRI.					

CENTER OPTICS (see page 2 for all options)**		FINISH		VOLTAGE		DRIVER	
SO(lumen)	spotless lens	AMW	antimicrobial white*	120	120 V	DP	dimming (0-10V) 1%
MLWB(lumen)	micro louver wide - black	W	white	277	277 V	LT	Lutron
MLNB(lumen)	micro louver narrow - black	C	custom**	347	347 V	BI	bi-level dimming
MLWG(lumen)	micro louver wide - grey			UNV	universal	O(#)	other**
MLNG(lumen)	micro louver narrow - grey			DC	low voltage*	DPB(#)	dimming (0-10V) 1% with BIOS*
MKL(Module Qty., Beam Angles, Cell Finish)	Mikrolite					TW(#)	tunable white drivers*
AC(QTY., Beam, Finish)	Accent					POE(#)	POE drivers*
BL	Blank (non-illuminated center strip)**						
!! Refer to page 2 for specific ordering code choices and examples. ** BL - IP64 rated. Other center options are not IP64 rated.		* Standard finish **Consult factory for NSF.		* Only available with POE drivers.		* See page 4 to specify system ** Please consult factory; see page 4	

CIRCUITS	LV CONTROLLER (OPT.)	MOUNTING	BATTERY (OPT.)
1 1 circuit	LVC1 low voltage controller (Mode 1)	TB9 t-bar 9/16"	B(#) battery pack
2 2 circuits	LVC2 low voltage controller (Mode 2)	TB15 t-bar 15/16"	
+E(#) emergency section *	LVC3 low voltage controller (Mode 3 step dim)	TG9 tegular 9/16"	
+GTD(#) generator transfer device*	LVC4 low voltage controller (Mode 3 smooth dim)	TG15 tegular 15/16"	
	LVC5 low voltage controller (Mode 4 step dim)	DF drywall flange	
	LVC6 low voltage controller (Mode 4 smooth dim)		
* Specify quantity	Available with DP driver single CCT options only Not available with 347V Please consult factory For compatibility with control devices, such as pillow speaker handset. See wiring diagrams on page 6-7.		Not available with 347V Please consult factory

Accessories ordered separately. See Accessories ordering guide.

Optical chamber available to order separately. See page 3.

Center Optics Ordering Guide (transfer ordering code to page 1-C0 column)

SHIELDING & NOM. LUMENS/FT - DIRECT				
SO(lumen)	spotless lens	200	200 lm/ft	SO lens option only
		300	300 lm/ft	
		400	400 lm/ft	
MLWB(lumen)	micro louver wide- black*	200	200 lm/ft	micro louver option only
MLNB(lumen)	micro louver narrow - black*	300	300 lm/ft	
MLWG(lumen)	micro louver wide - grey*	450	450 lm/ft	
MLNG(lumen)	micro louver narrow - grey*	600	600 lm/ft	

* Micro louver recommended at outputs over 500 lm/ft. Please consult factory for more information.

EX.: SO(300) to be placed in Central Optics column

MIKROLITE - MKL(#, Beam Angles, Cell Finish)			
MIKROLITE MODULE QTY	BEAM ANGLE	CELL FINISH	
MKL(#) MikroLite module	MKL35 35 deg	GR	gray
	MKL20 20 deg	BLK	black

1 module contains 4 Mikrolites; Module length is 4". Minimum distance from edge 2". 500 lm/module

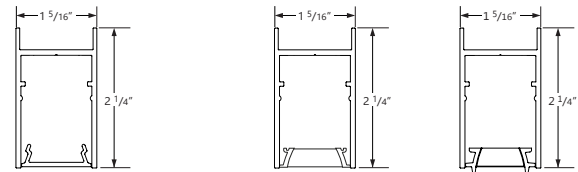
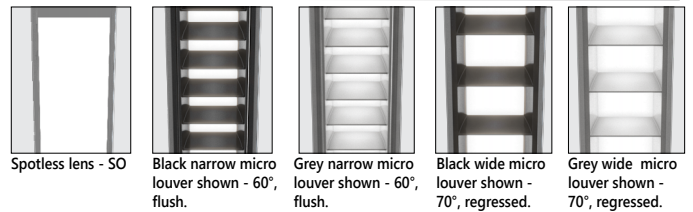
EX.: MKL (2, MKL35, GR) to be placed in Central Optics column

ACCENT - AC(#, Beam, Finish)			
ACCENT QUANTITY	BEAM	ACCENT FINISH	
AC(#) accent quantity	AC20 20 deg	AP	aluminum paint
	AC35 35 deg	W	white
		BLK	black

Only available in 500 lumens, 3000 K, 80 CRI with 0-10V dimming (1%). Minimum spacing between Accents is 4". Accent provided only on blank section by default (min length 2").

EX.: AC(2, AC20, AP) to be placed in Central Optics column

SO or MICRO LOUVER OPTIONS

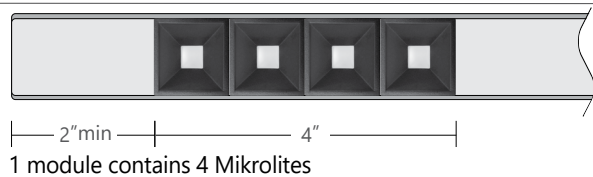


Spotless Lens - SO

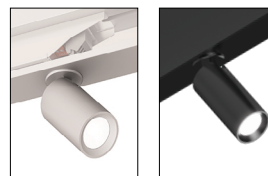
Micro Louver - Wide

Micro Louver - Narrow

CENTER OPTICS WITH MIKROLITE 1.0

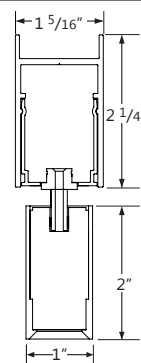


ACCENT OPTIONS



Accent on segment shown

CENTER OPTICS WITH ACCENT SECTION VIEW




Accent in blank

Flexible Ambient 1x4 | Recessed

Modular optical chamber is available as optional shelf stock for easy maintenance change-out; ordered separately.

Optical Chamber Ordering Guide

BCFAOC		14		NOMINAL LUMENS		CRI		COLOR TEMP. (choose one)		DISTRIBUTION			
PRODUCT ID		SIZE											
BCFAOC	Flexible Ambient Recessed Optical Chamber	14	1'X4'	2300	2300 lm - Minimum	80	80 CRI	30	3000 K	TW2750	2700-5000 K - Tunable White	GD	general diffuse
				4300	4300 lm - Maximum	90	90 CRI*	35	3500 K				
				Outputs between listed min and max are available. Consult factory for outputs outside of the listed range. Consult factory for max output with BIOS.		* Not available with BIOS		Consult Axitune technical sheet for more information on color technology. *Consult BIOS guide for more information on BIOS technology. Only available with 80 CRI.					

CENTER OPTICS (see page 2 for all options) 		FINISH			
SO(lumen)	spotless lens	AMW	antimicrobial white*		
MLWB(lumen)	micro louver wide- black		W	white	
MLNB(lumen)	micro louver narrow - black			C	custom**
MLWG(lumen)	micro louver wide - grey				
MLNG(lumen)	micro louver narrow - grey				
MKL(Module Qty., Beam Angles, Cell Finish)	Mikrolite				
AC(QTY., Beam, Finish)	Accent				
BL	Blank (non-illuminated center strip)**				
<p>!! Refer to page 2 for specific ordering code choices and examples. ** BL - IP64 rated. Other center options are not IP64 rated.</p>					
		<p>* Standard finish **Consult factory for NSF.</p>			

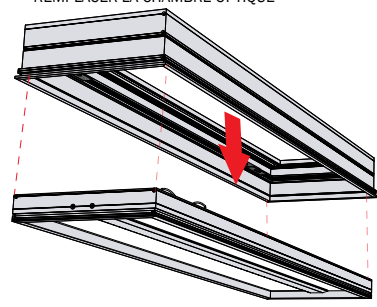
Optical Chamber Replacement

1




PRY WITH PROVIDED LENS TOOL
FOUR CORNERS
LEVIER AVEC OUTIL FOURNIS AUX
QUATRE COINS

2 REPLACE OPTICAL CHAMBER
REPLACER LA CHAMBRE OPTIQUE



DISCONNECT WIRES FROM DRIVER
DÉBRANCHEZ LES FILS DU PILOTE

Use part # BCLTL to order lens tool as an accessory. See Accessories ordering guide. 

Flexible Ambient 1x4 | Recessed

● SPECIFICATIONS

Housing	Extruded aluminum (0.065" nominal)
Central Housing	Extruded aluminum (0.065" nominal)
Center Lens	Spotless PMMA lens (optional)
Side Lens	4mm PMMA light guides
Reflectors	Specular aluminum
Drywall Flange Kit	Extruded aluminum (0.060" nominal)

● ELECTRICAL

Lutron driver*	LDE1 - Hi-lume 1% EcoSystem with Soft-on, Fade-to-Black *Consult factory
Other drivers**	DALI - Digital Addressable Lighting Interface DMX - Digital Multiplex Xitanium SR - For wireless sensor
BIOS DPB drivers*	STC - BIOS control 0-10V with static spectrum and BIOS SkyBlue enabled from 100% to 1%. DCA - DynamicCare™ for Axis; BIOS control 0-10V with dynamic spectrum and BIOS SkyBlue® with Bio-Dimming™, which changes spectral qualities by removing the SkyBlue component when dimming from 100% to 51%, while light output remains relatively constant; CCT will decrease approximately 500K through bio-dimming; dimming from 50% to 1% will then reduce light output.
Tunable White TW drivers*	DALIDT6 - DALI Type 6 (Two DALI Addresses) DALIDT8 - DALI Type 8 (One DALI Address)
Power over Ethernet POE drivers* UL2108 certified for integral or remote driver	MOLEX IGOR SMARTENGINE O - Other (Consult factory)
Emergency	Integral emergency battery pack or emergency circuit optional.
Input Voltage	120V, 277V, 347V, UNV, DC.
Flex Whip	Shipped in a separate box for contractors to install

*Choose driver from available options.

i Incorporating these components may have limitations or affect the length of the luminaire. Please contact factory for more details.

● FINISH

Highly reflective, matte powder coat white paint for high efficiency. Matte texture to diffuse glare and lamp image on the surface within the optical chamber exterior. Custom finishes are also available.

● LED SYSTEM

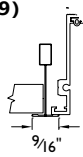
CRI	Minimum 80 or 90 color rendering index options.
CRI BIOS	Minimum 80 color rendering index with R9>75 for all CCTs.
CCT Single Color	Choice of 3000K, 3500K and 4000K color temperature with a great color consistency (within 3-step MacAdam ellipse). Both within fixture and fixture to fixture.
CCT BIOS	BIOS Static (STC) Choice of 3000K, 3500K and 4000K. BIOS SkyBlue® DynamicCare™ for Axis (DCA); Choice of 3000K, 3500K, and 4000K with Bio-Dimming™, which then reduces by 500K. Consult BIOS guide for more information on BIOS technology.
CCT Axitune Systems	Consult Axitune technical sheet for more information on color technology.
LED life	Minimum 50,000h with 85% of lumen maintenance in 25°C ambient temperature, in compliance with IES LM-80 testing measurements.
Thermal Management	Aluminum housing acting as the heat sink to maximize life.
Environment	For all line voltage drivers, dry and damp rated for ambient operating temperature of -20° to +40° C (-4° to +104°F) For POE driver option, dry and damp rated for ambient operating temperature of 0° to +40°C (+32° to +104°F) Consult factory for temperature outside this range.

Flexible Ambient 1x4 | Recessed

● CEILING SYSTEM

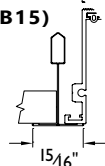
T-BAR STYLE MOUNTING

(TB9)



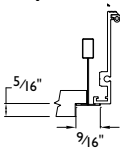
9/16" T-BAR

(TB15)



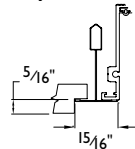
15/16" T-BAR

(TG9)



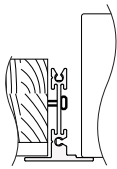
9/16" TEGULAR

(TG15)

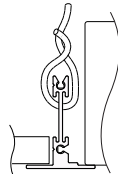


15/16" TEGULAR

● DRYWALL WITH FLANGE KIT (DF)

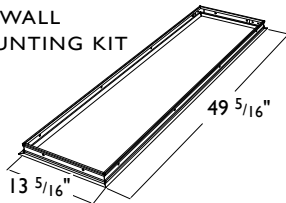


WITH WOOD FRAME



WITHOUT WOOD FRAME

DRYWALL MOUNTING KIT



FIXTURE DIMENSIONS

47 13/16" x 11 13/16"

CUT HOLE DIMENSIONS

48 9/16" / 12 9/16"

i Installation sheets for all mounting options are available at: www.axislighting.com

● APPROVALS

With product features that promote cleanability and durability, Axis Lighting meets functional and application-specific industry listings such as UL, Ingress Protection (IP) and National Sanitation Foundation (NSF) standards.

● WEIGHT

Standard	26 lbs / 11.8 kg
Drywall with Kit	28 lbs / 12.7 kg

● WARRANTY

Axis Lighting will warrant defective LEDs, boards, and drivers for 5 years from date of purchase. Warranty is valid if luminaire is installed and used according to specifications.

If defective, Axis Lighting will send replacement boards or drivers at no cost along with detailed replacement instructions and instructions on how to return defective components to Axis.

● STANDARD AND END MOUNT POWER FEED

Knockouts for BX cable connection are provided.

(BX CABLE BY OTHER)



TOP VIEW

Flexible Ambient 1x4 | Recessed

● LOW VOLTAGE CONTROLLERS - CONFIGURATIONS

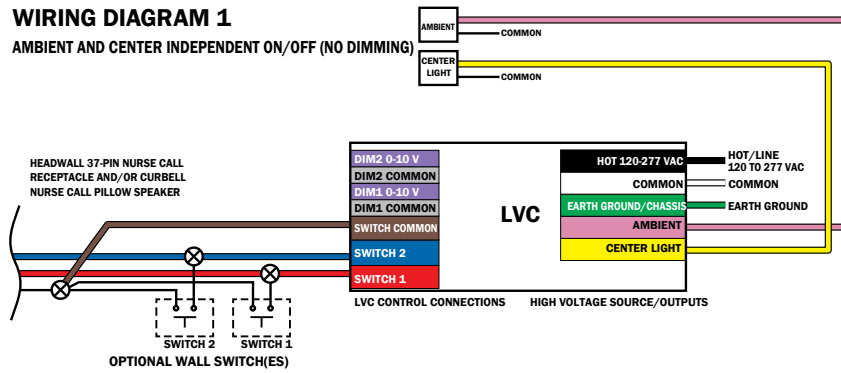
		MODE #1 (DEFAULT)	MODE #2	MODE #3		MODE #4	
		Ambient Light and Center Light Independent (ON/OFF) LVC1 Option	Ambient Light and Center Light Sequential LVC2 Option	Ambient Light Dimming, Center Light Independent (ON/OFF)		Ambient Light and Center Light Dimming	
				Step Dimming (one direction) LVCD3 Option	Smooth Dimming (two direction) LVCD4 Option	Step Dimming (one direction) LVCD5 Option	Smooth Dimming (two direction) LVCD6 Option
Toggling Switch 1 (Pillow Speakers, wall switch) affects Ambient as follows:	First Toggle	Ambient ON	Ambient ON, Center OFF	Ambient ON, Full brightness	"First toggle: Ambient ON, dim level set to Approx. 100% brightness Subsequent sustained presses: smooth dimming* Second toggle: Ambient OFF"	Ambient ON, Full brightness dimming	"First toggle: Ambient ON, dim level set to Approx. 100% brightness Subsequent sustained presses: smooth dimming* Second toggle: Ambient OFF"
	Second Toggle	Ambient OFF	Ambient OFF, Center ON	Ambient ON, Approx. 60% (4 VDC) brightens		Ambient ON, Approx. 60% (4 VDC) brightens	
	Third Toggle	-	Ambient ON, Center ON	Ambient ON, Approx. 30% (1.37 VDC) brightens		Ambient ON, Approx. 30% (1.37 VDC) brightens	
	Fourth Toggle	-	Ambient OFF, Center OFF	Ambient ON, Approx. 10% (0.8 VDC) brightens		Ambient ON, Approx. 10% (0.8 VDC) brightness	
	Fifth Toggle	-	-	-		Ambient OFF	
Toggling Switch 2 (Pillow Speakers, wall switch) affects Center as follows:	First Toggle	Center ON	-	Center ON	Center ON	Center ON, Full brightness	"First toggle: Center ON, dim level set to Approx. 100% brightness Subsequent sustained presses: smooth dimming* Second toggle: Center OFF"
	Second Toggle	Center OFF	-	Center OFF	Center OFF	Center ON, Approx. 60% (4 VDC) brightness	
	Third Toggle	-	-	-	-	Center ON, Approx. 30% (1.37 VDC) brightens	
	Fourth Toggle	-	-	-	-	Center ON, Approx. 10% (0.8 VDC) brightens	
	Fifth Toggle	-	-	-	-	Center OFF	

Flexible Ambient 1x4 | Recessed

● LOW VOLTAGE CONTROLLERS WIRING DIAGRAMS

WIRING DIAGRAM 1

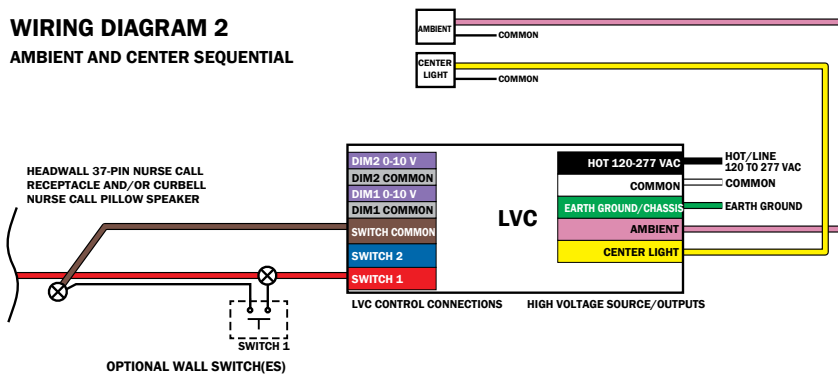
AMBIENT AND CENTER INDEPENDENT ON/OFF (NO DIMMING)



1. LVC Mode 1 - Ambient Light and Center Light, Independent ON/OFF, no dimming (DEFAULT mode)

WIRING DIAGRAM 2

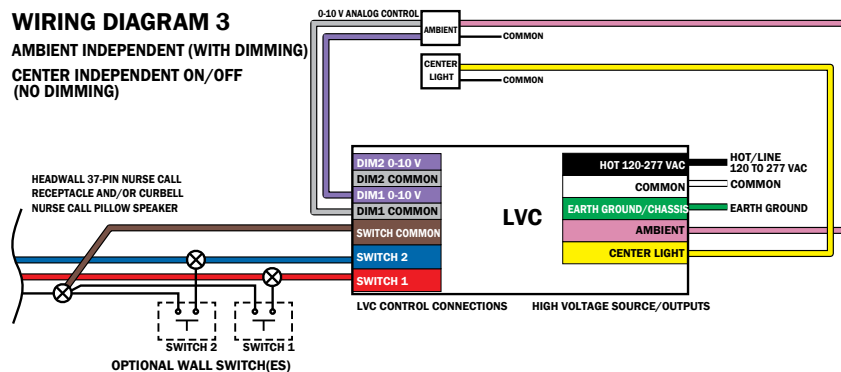
AMBIENT AND CENTER SEQUENTIAL



2. LVC Mode 2 - Ambient Light and Center Light, Sequential ON/OFF, no dimming

WIRING DIAGRAM 3

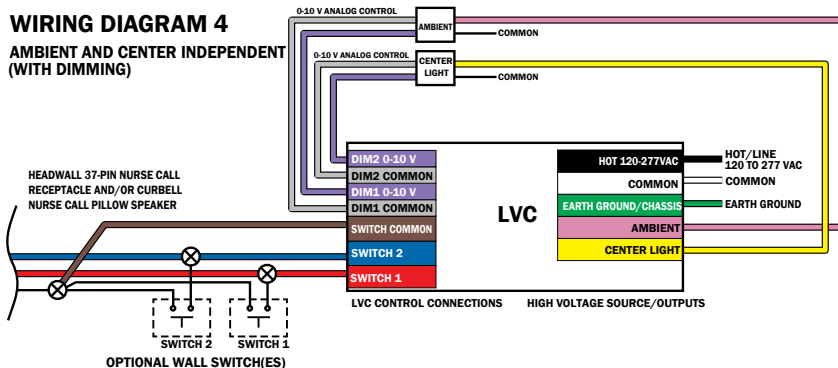
AMBIENT INDEPENDENT (WITH DIMMING)
CENTER INDEPENDENT ON/OFF (NO DIMMING)



3. LVCD Mode 3 - Step dimming (Ambient dimming, Center ON/OFF)
4. LVCD Mode 3 - Smooth dimming (Ambient dimming, Center ON/OFF)

WIRING DIAGRAM 4

AMBIENT AND CENTER INDEPENDENT (WITH DIMMING)



5. LVCD Mode 4 - Step dimming (Ambient and Center dimming)
6. LVCD Mode 4 - Smooth dimming (Ambient and Center dimming)

Flexible Ambient 1x4 | Recessed

PERFORMANCE AT 3500K

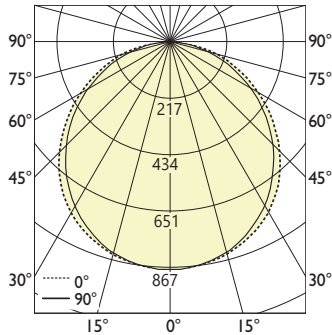
DISTRIBUTION	LUMEN OUTPUT	INPUT WATTS*	EFFICACY	Estd. L85 LED Life (hrs.)
GENERAL DISTRIBUTION	4300 lm	46.7 W	92 lm/W	50000, min
WIDE	4300 lm	50.5 W	85 lm/W	50000, min

Please consult factory for custom lumen output and wattage.

● PHOTOMETRIC DATA

PHOTOMETRIC CURVE

General distribution



Luminaire Lumens: 2300 lm
Input Watts: 25 W
Efficacy: 92 lm/W

IES FILE: BCFA-14-2300-GD-80-35-W-120-D.ies

TESTED ACCORDING TO IES LM-79-2008

CANDELA DISTRIBUTION

Vertical Angle	Horizontal Angles				
	0	22.5	45	67.5	90
0	865	865	865	865	865
5	864	862	861	859	859
15	835	830	825	823	823
25	774	765	760	759	760
35	681	670	664	664	666
45	560	548	541	540	542
55	423	410	402	399	401
65	282	269	261	257	257
75	147	138	131	124	123
85	39	34	35	37	38
90	1	1	2	2	2

ZONAL LUMENS

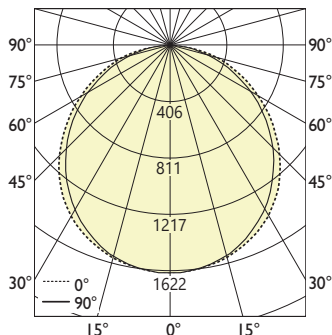
Zone	Lumens
0	82
0-10	233
10-20	351
20-30	417
30-40	419
40-50	361
50-60	260
60-70	139
70-80	38
80-90	38
90	

LUMINANCE DATA (cd/m²)

Vertical Angle	Horizontal Angles		
	0	45	90
0	2377	2294	2299
45	2213	2101	2096
65	1998	1853	1826
75	1700	1519	1423
85	1334	1191	1323

PHOTOMETRIC CURVE

General distribution



Luminaire Lumens: 4300 lm
Input Watts: 46.7 W
Efficacy: 92 lm/W

IES FILE: BCFA-14-4300-GD-80-35-W-120-D.ies

TESTED ACCORDING TO IES LM-79-2008

CANDELA DISTRIBUTION

Vertical Angle	Horizontal Angles				
	0	22.5	45	67.5	90
0	1618	1618	1618	1618	1618
5	1616	1613	1609	1606	1606
15	1561	1551	1543	1539	1538
25	1447	1431	1422	1420	1421
35	1273	1253	1242	1242	1245
45	1048	1024	1011	1009	1013
55	791	766	751	747	749
65	526	503	488	481	481
75	274	258	245	233	230
85	72	63	65	70	72
90	3	3	3	3	3

ZONAL LUMENS

Zone	Lumens
0	153
0-10	436
10-20	656
20-30	779
30-40	783
40-50	675
50-60	487
60-70	260
70-80	71
80-90	71
90	

LUMINANCE DATA (cd/m²)

Vertical Angle	Horizontal Angles		
	0	45	90
0	4444	4290	4298
45	4138	3928	3919
65	3737	3465	3415
75	3180	2840	2661
85	2494	2228	2475

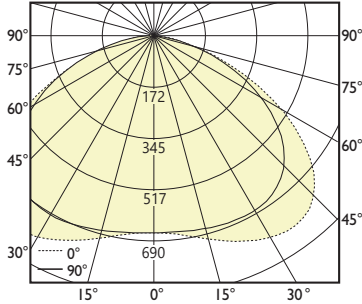
i All IES files are available for download at: www.axislighting.com

Flexible Ambient 1x4 | Recessed

PHOTOMETRIC DATA

PHOTOMETRIC CURVE

Wide distribution



Luminaire Lumens: 2300 lm
Input Watts: 27 W
Efficacy: 85 lm/W

IES FILE: BCFA-14-2300-80-35-WD-W-120-D.ies
 TESTED ACCORDING TO IES LM-79-2008

CANDELA DISTRIBUTION

Vertical Angle	Horizontal Angles				
	0	22.5	45	67.5	90
0	569	569	569	569	569
5	570	571	572	573	573
15	578	581	591	601	606
25	587	595	619	644	654
35	583	596	633	671	689
45	543	558	598	641	664
55	446	456	486	520	541
65	301	304	319	334	345
75	150	150	153	152	153
85	34	35	38	42	45
90	1	2	3	4	4

ZONAL LUMENS

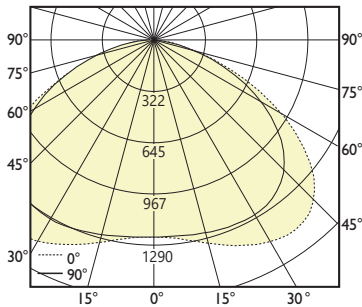
Zone	Lumens
0	
0-10	55
10-20	168
20-30	287
30-40	395
40-50	458
50-60	430
60-70	311
70-80	157
80-90	40
90	

LUMINANCE DATA (cd/m²)

Vertical Angle	Horizontal Angles		
	0	45	90
45	2303	2538	2817
55	2332	2543	2829
65	2139	2262	2447
75	1743	1776	1771
85	1162	1301	1541

PHOTOMETRIC CURVE

Wide distribution



Luminaire Lumens: 4300 lm
Input Watts: 50.5 W
Efficacy: 85 lm/W

IES FILE: BCFA-14-4300-80-35-WD-W-120-D.ies
 TESTED ACCORDING TO IES LM-79-2008

CANDELA DISTRIBUTION

Vertical Angle	Horizontal Angles				
	0	22.5	45	67.5	90
0	1064	1064	1064	1064	1064
5	1066	1067	1069	1071	1071
15	1080	1087	1105	1124	1132
25	1097	1113	1157	1204	1223
35	1089	1115	1183	1254	1287
45	1015	1043	1118	1199	1242
55	833	852	909	973	1011
65	563	568	596	624	645
75	281	281	286	284	286
85	63	65	71	78	84
90	3	4	6	7	8

ZONAL LUMENS

Zone	Lumens
0	
0-10	102
10-20	315
20-30	536
30-40	739
40-50	855
50-60	803
60-70	581
70-80	293
80-90	75
90	

LUMINANCE DATA (cd/m²)

Vertical Angle	Horizontal Angles		
	0	45	90
45	4306	4745	5267
55	4359	4754	5288
65	3999	4229	4576
75	3259	3320	3312
85	2173	2433	2881

i All IES files are available for download at: www.axislighting.com